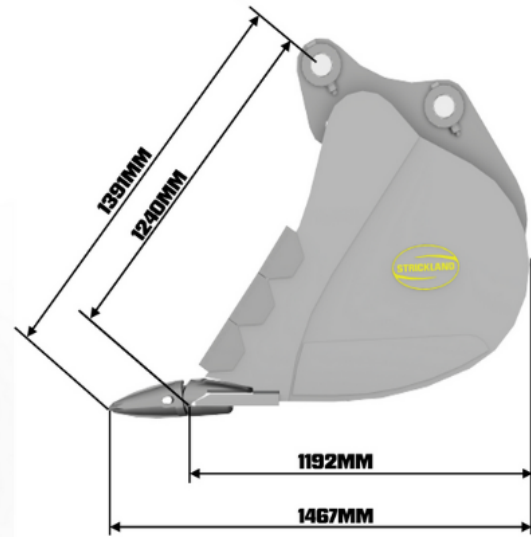
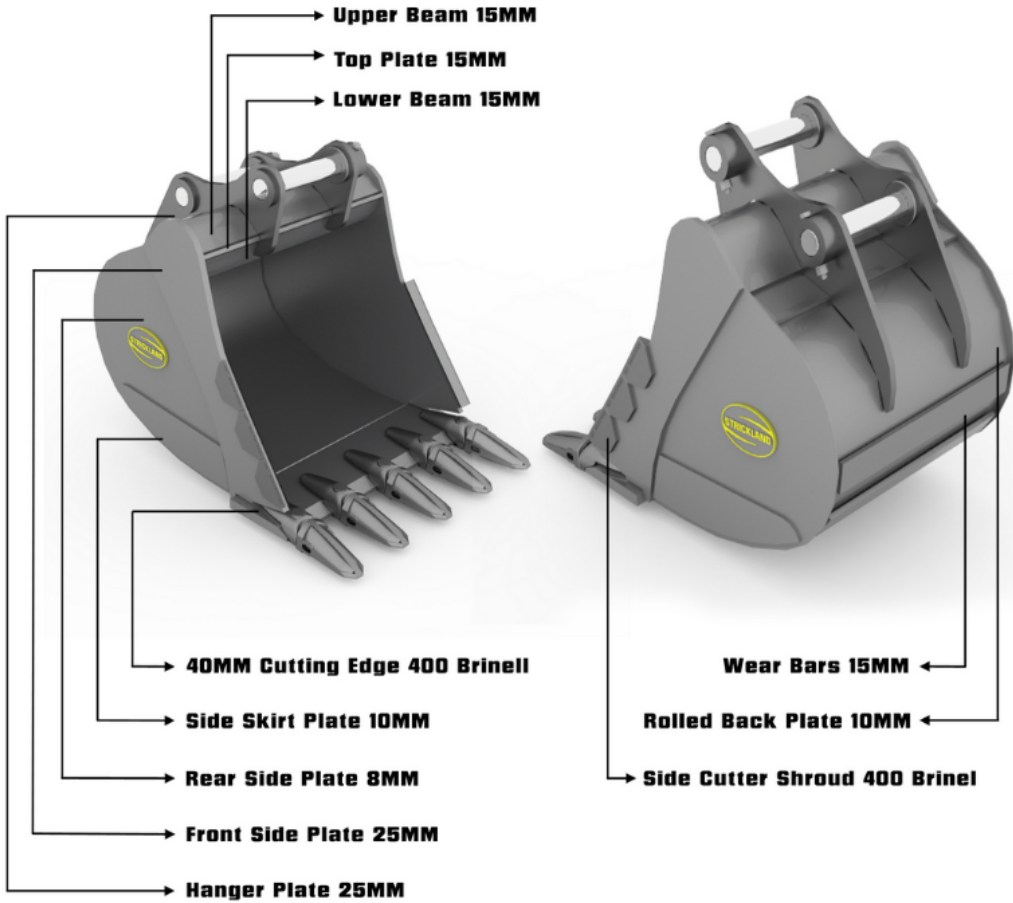


KOMATSU PC210 20 TON BUCKET



BUCKET WIDTH		NUMBER OF TEETH	CAPACITY (cub m)		BUCKET WEIGHT (KG)
INCH	MM		STRUCK	RATED	
18	457	3	0.24	0.27	496
24	610	3	0.34	0.39	571
30	762	3	0.44	0.52	686
36	914	4	0.53	0.65	718
39	990	4	0.58	0.72	750
42	1067	5	0.63	0.79	768
48	1219	5	0.73	0.93	851
54	1371	6	0.83	1.06	934
60	1524	6	0.93	1.20	994

REPARK

www.REPARK.lv