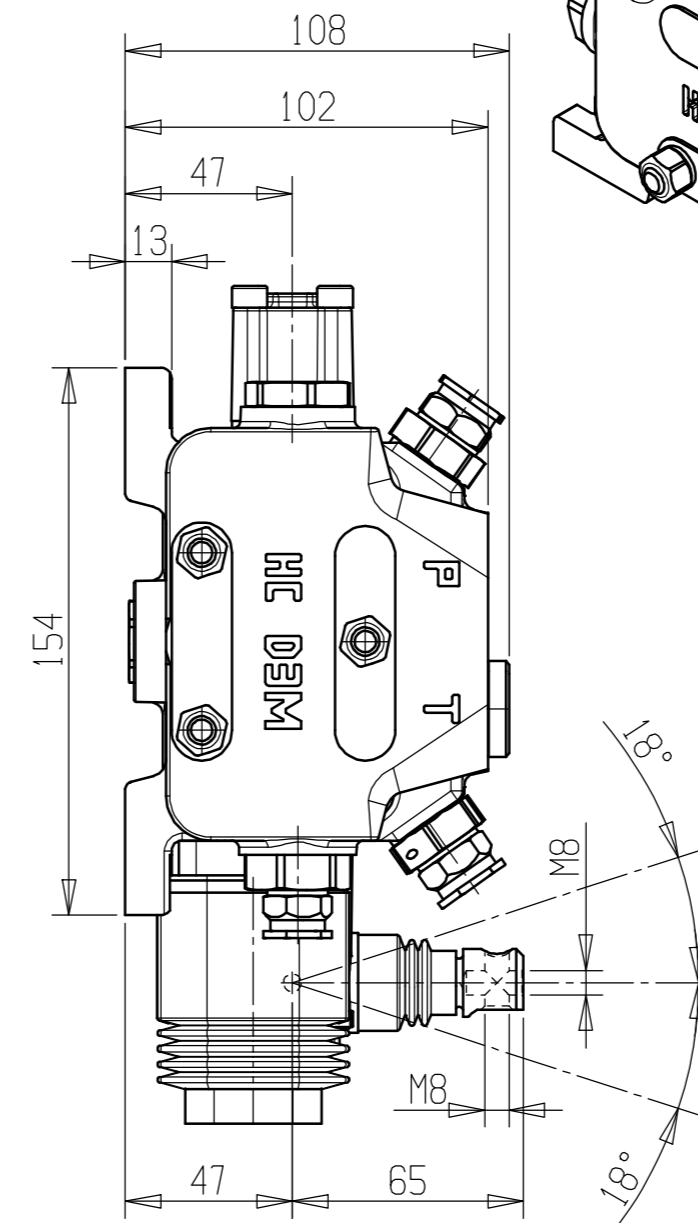
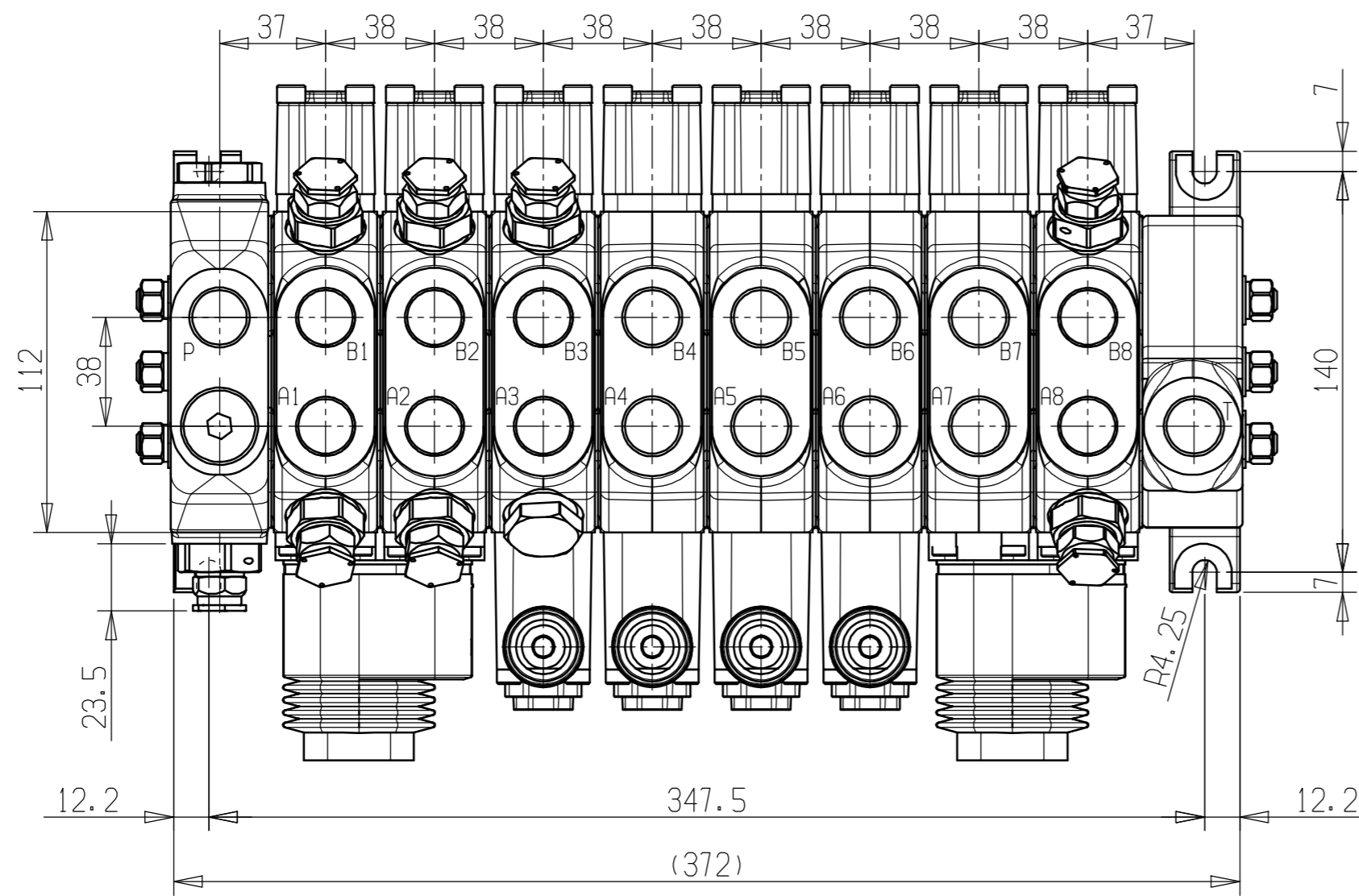
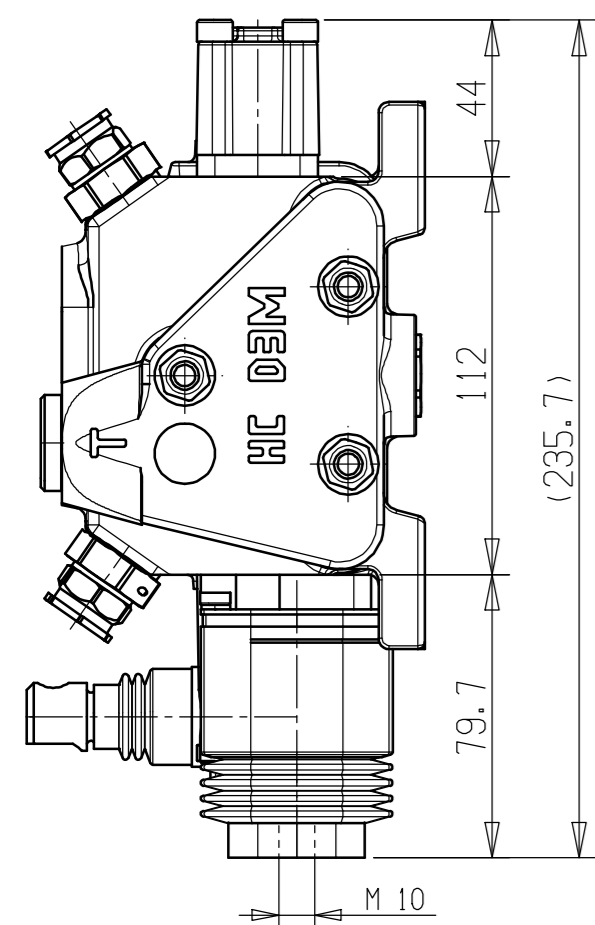
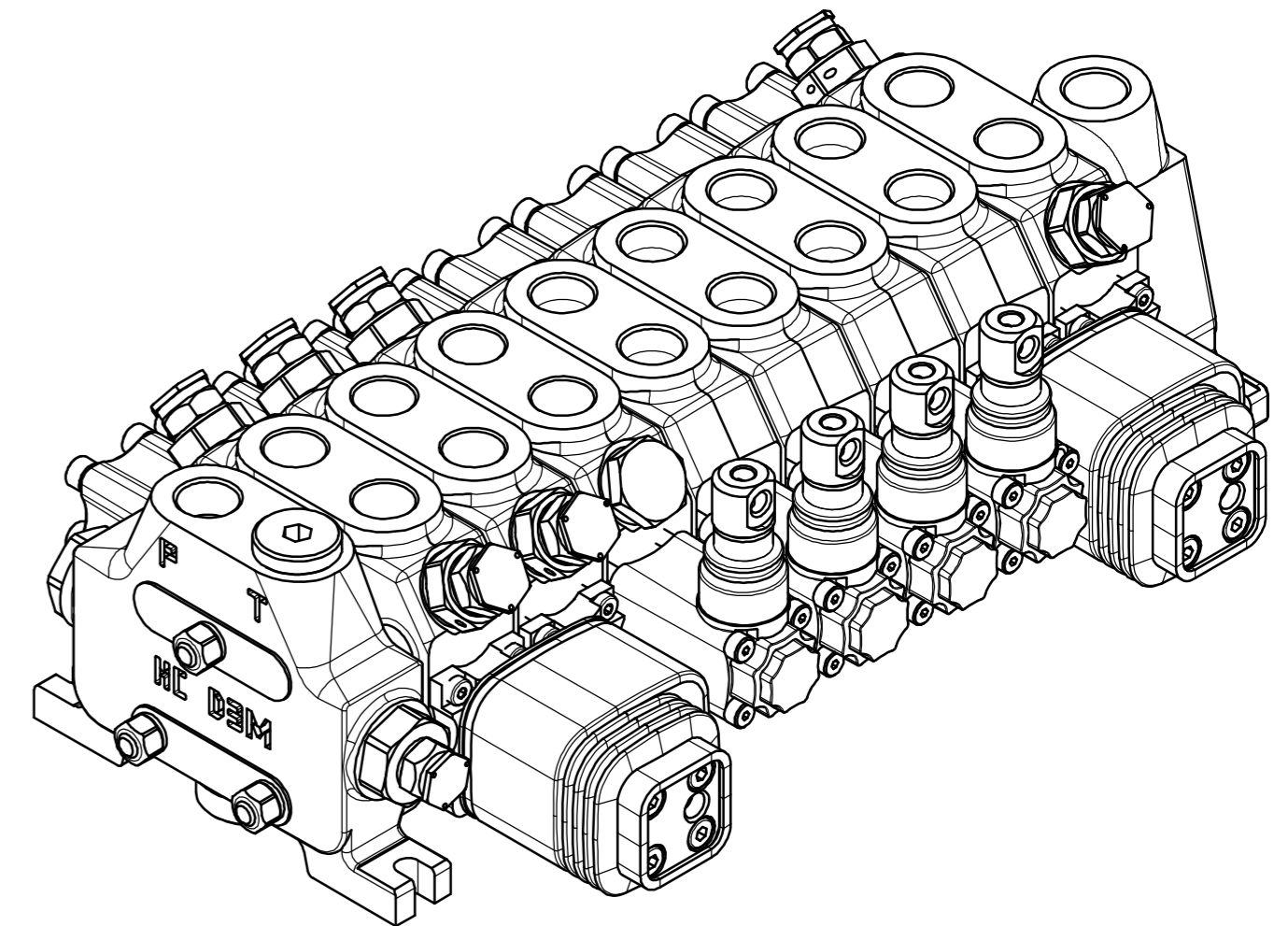
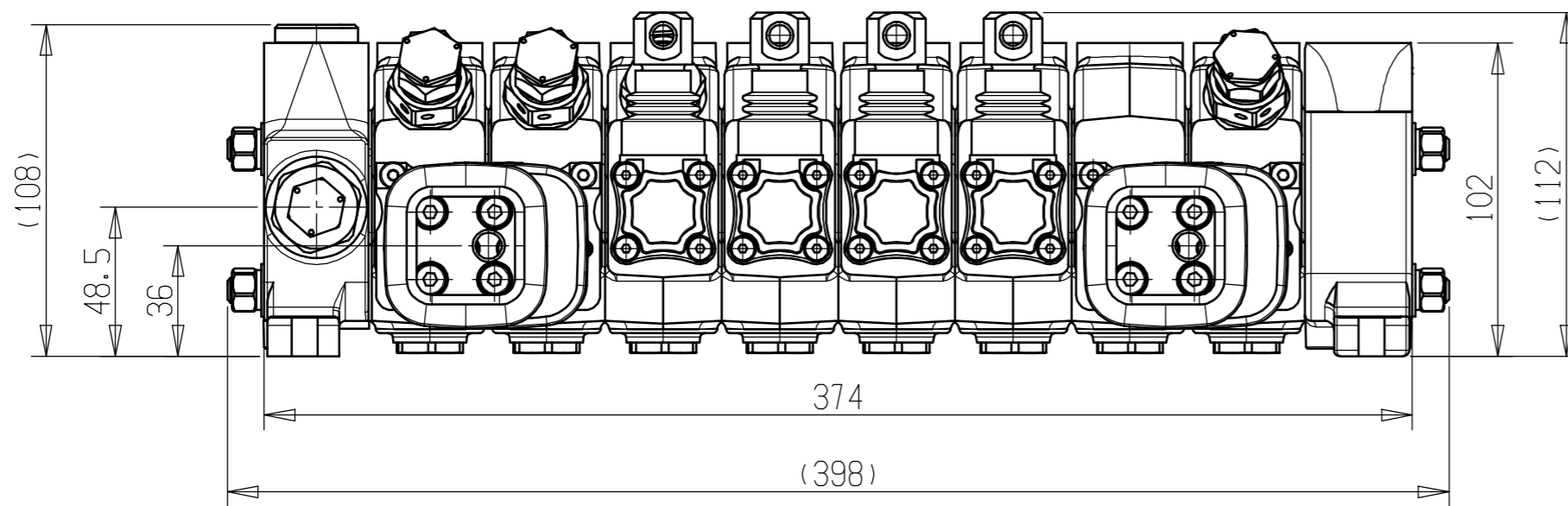
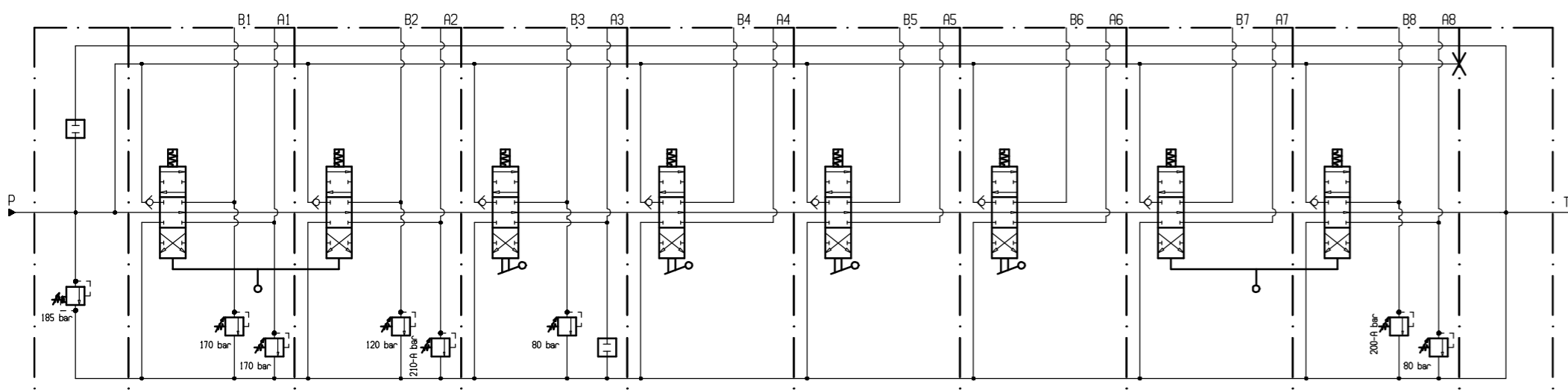


REPARK
WWW.REPARK.LV



STANDARD WORKING CONDITION

Max. Inlet Flow	55 l/min
Max. Input Pressure	350 bar
Max. back pr. on Tank line	20 bar
Operating temperature range	-20/+80°C
Kinematic Viscosity Range	10-300 cst
Max. Contamination level	9 (NAS 1638) - 20/18/15 (ISO 4406:1999)
Recommended Filtration level	b10 >75 (ISO 16889 : 2008)
PORT DIMENSIONS:	
Tank Port T	1/2"-BSP
Inlet Port P	1/2"-BSP
Working Ports A & B	1/2"-BSP



Description: HC-D3M/8



Group:		D3M	Scale	
Approv.	Date	Schema Code		
JA	16/06/2014	83760		
Designer:	Date	CODE	Mod.	
MS	16/06/2014	I06945	0	