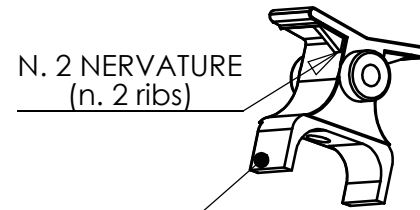


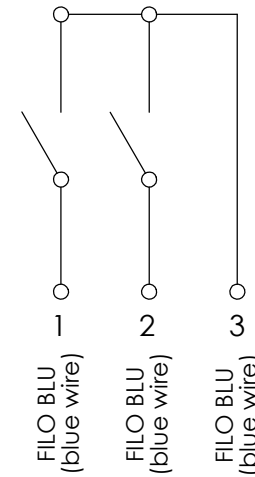
VISTA DETTAGLIATA  
BASCULANTE  
(rocker detail view)



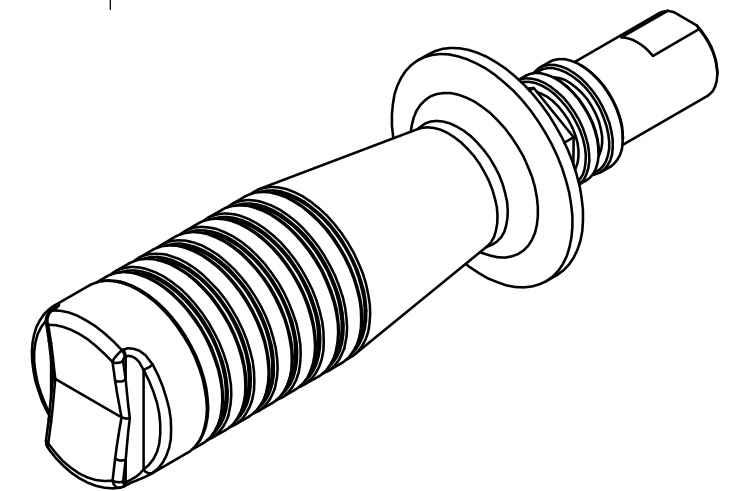
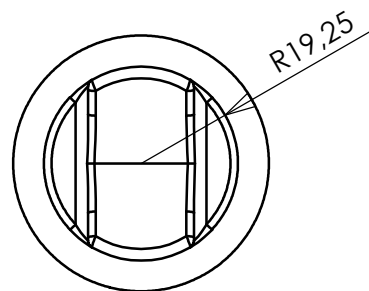
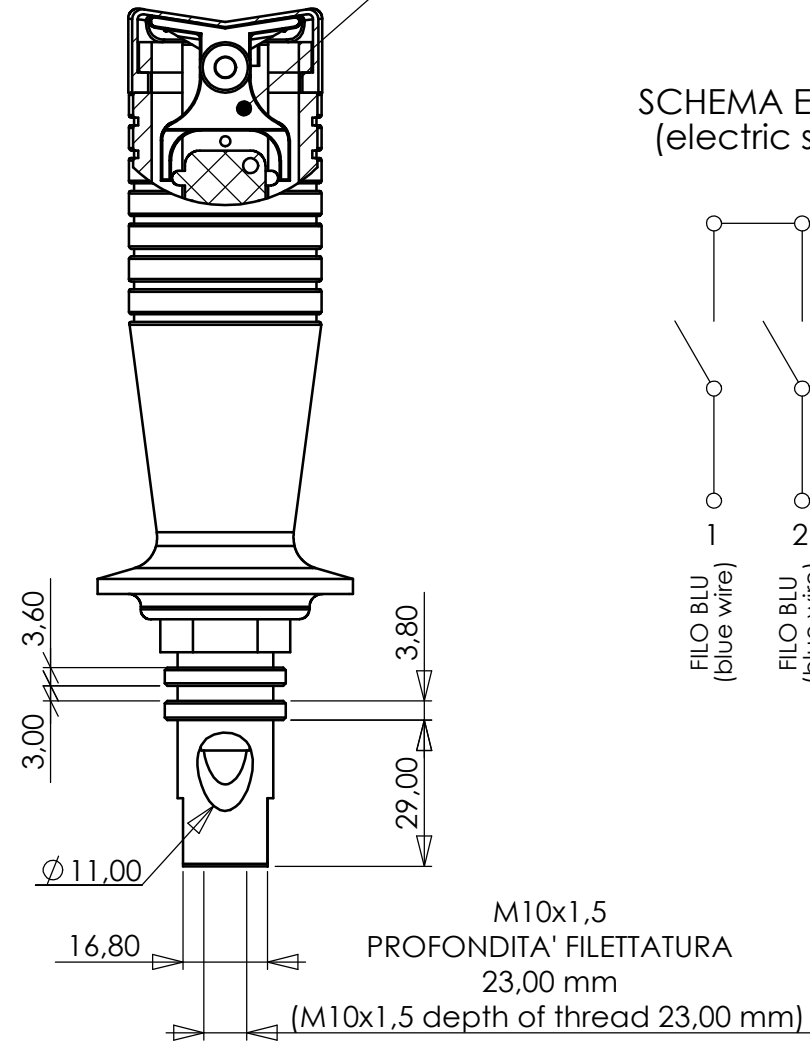
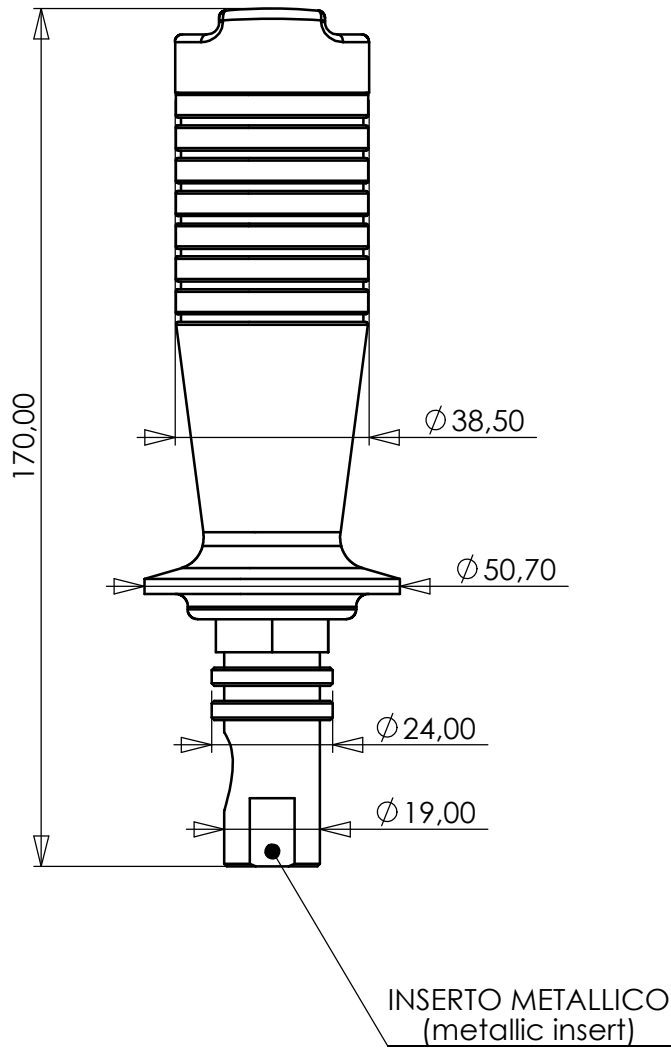
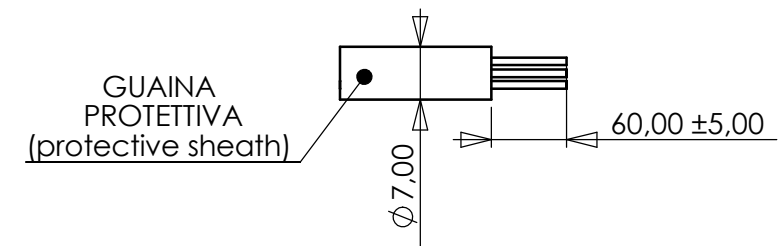
		MICROSWITCH SPECIFICATIONS								
Item	Rated Voltage ( V )	Non-Inductive load ( A )				Inductive load ( A )				Inrush current
		Resistive load		Lamp load	Inductive load		Motor load			
Type		NC	NO	NC	NO	NC	NO	NC	NO	
	250 VAC	16		2		10		3		
	8VDC	16		4		10		6		40 A
16A	30VDC	10		4		10		4		max.
	125VDC	0,6		0,1		0,6		0,1		
	250VDC	0,3		0,05		0,3		0,05		

NOTE [note]:  
FILO ELETTRICO ESTERNO AL POMOLO  
L=460 mm (-0,00; +20,00)  
[wires out knob L=460 mm (-0,00; +20,00)]

SCHEMA ELETTRICO  
(electric scheme)



DETTAGLIO FILI ELETTRICI  
SCALA 1 : 1  
(detail electric wires scale 1 : 1)



VISTA ISOMETRICA  
(isometric view)