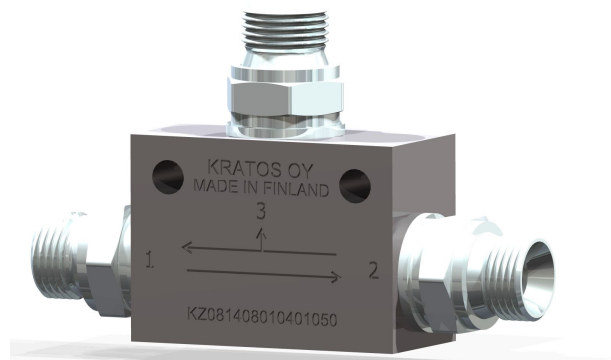
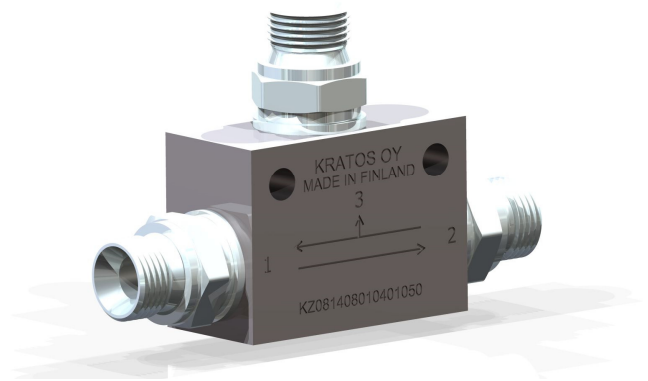


KRATOS Z-LINE VALVE KZ016

OPTIMIZE THE EFFICIENCY



Kratos

More power with less energy.

Kratos Oy
Purukatu 7
FI-70800 KUOPIO
FINLAND

p.+358 40 163 7632
info@kratos.fi
www.kratos.fi

Business ID 2475987-1



KRATOS Z-VALVE

KZ016

OPTIMIZE THE EFFICIENCY

KRATOS Z-LINE VALVE is a patented, new generation valve product line, which decreases the back pressure of a hydraulic cylinder even 90%. The Z-Line valve releases the back pressure directly to a hydraulic tank. The engine does not strain during the return movement of the cylinder and it consumes less fuel.



Z-Line valve



FEATURES

PRODUCTIVE

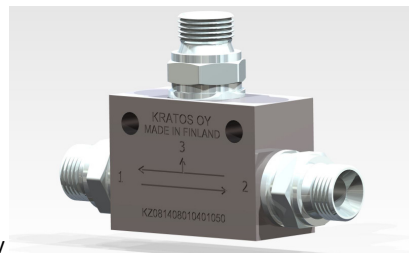
Return speed and force of hydraulic cylinder increases, and thus the system speed is improved

ENERGY-EFFICIENT

Decreases the fuel consumption and heating of the hydraulic oil

AUTOMATIC

Returns its normal position automatically when needed



VERSATILE

Possible to custom for from single machines to large industrial production lines

UNIQUE

Patented solution by Kratos Oy

EASY INSTALLATION

Installation can be done easily to new or used machines

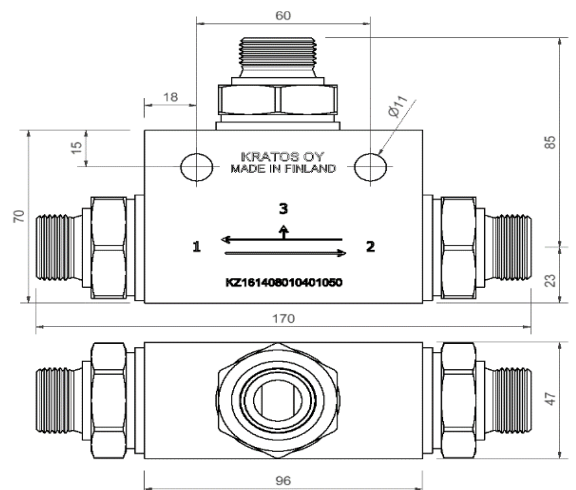
SUPERIOR

Efficiency is superior compared to competitive solutions

TECHNICAL DATA

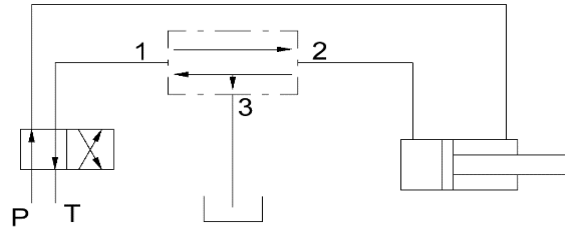
Max. operating pressure	bar (psi)	350 (5000)
Flow	l/min. (gpm)	240 (60)
Weight	kg (lbs)	2,28 (5,03)
Port sizes		
Port 1	standard	G 1"
Port 2	standard	G 1"
Port 3	standard	G 1"

Port sizes available on request G1/2", G3/4"

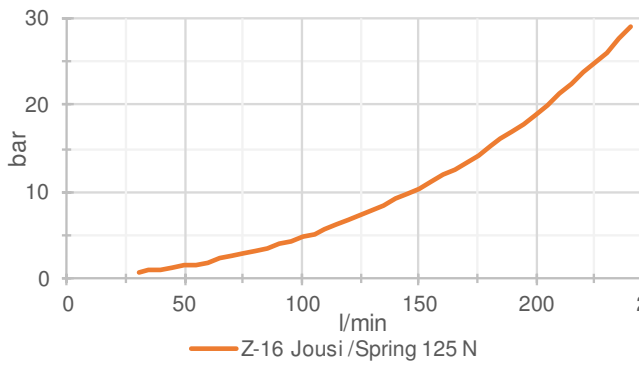


TEKNISET TIEDOT

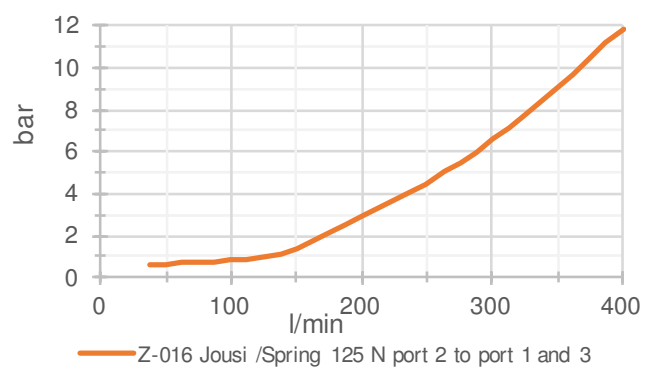
When the flow is from port 1 to port 2, then port 3 is closed. When the flow is from port 2 to port 1, then port 3 will be open and divide pressure between ports 1 and 3.



Pressure drop from port 1 to port 2

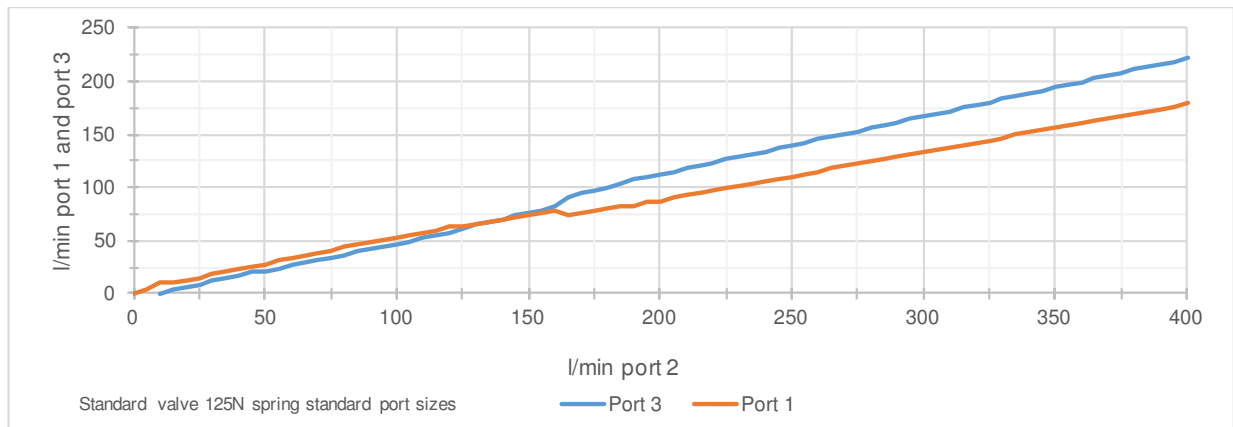


Pressure drop from port 2 to port 1 and 3



Flow from port 2 to port 1 and 3

Flow will be divided when the flow resistance in port 1 and 3 is equal.



Ordering code

Body	Spring	Port 1	Port 2	Port 3
KZ016	W	X	Y	Z

Valve sizes

Spring	
125 N	1

Port sizes

G 1"	1
G 3/4"	2
G 1/2"	3

E.g Ordering code. Standard valve 125N spring standard port sizes = KZ0161111

Kratos



MORE POWER WITH LESS ENERGY

Kratos Oy is a dynamic and innovative provider of the hydraulic technology.

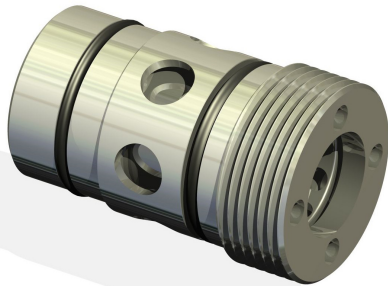
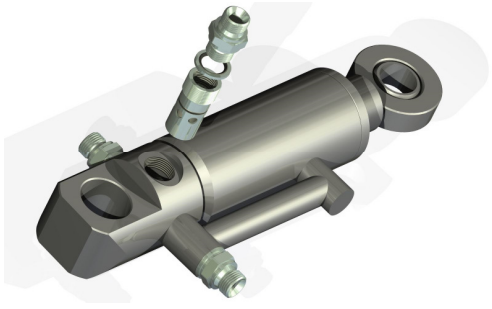
Its patented solutions create clear competitive edges for the machine building industry.

The mission is to enhance the hydraulic systems of the machine so that the efficiency of the system increases while energy consumption and costs decrease.

KRATOS OY

Purukatu 7
FI-70800 Kuopio,
Finland

Tel: +358 40 675 7632
www.kratos.fi
info@kratos.fi



More power with less energy.

Kratos Oy
Purukatu 7
FI-70800 KUOPIO
FINLAND

p.+358 40 163 7632
info@kratos.fi
www.kratos.fi

Business ID 2475987-1

