

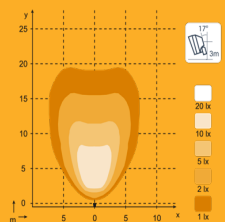


NORDIC SCORPIUS LED N4405 QD

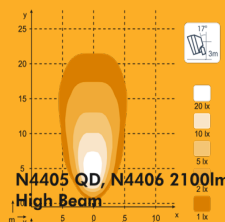
The Nordic SCORPIUS LED N4405 QD work lamp offers 48% improved lumens/Watt efficacy compared to its original predecessor and is equipped with the revolutionizing QUAKE dampening system. The new QUAKE dampening system takes protection against vibration and shock to a whole new level never seen before. Suitable for harsh conditions and a range of applications.

Light patterns

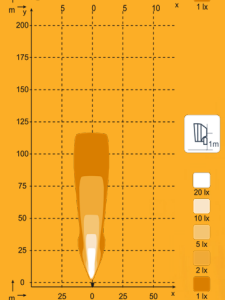
N4405 QD, N4406 2100lm
Wide Flood



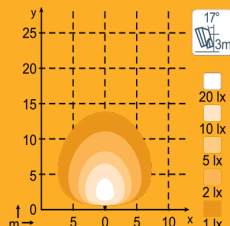
N4405 QD, N4406 2100lm
Flood



N4405 QD, N4406 2100lm
High Beam



N4405 QD, N4406 1680lm
Diffused



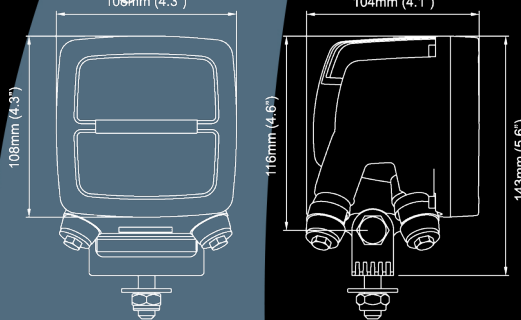
NORDICLIGHTS



Features

-  Long Lifetime
-  Low Maintenance
-  Waterproof
-  Heavy Duty Construction
-  Reverse Voltage
-  EMC
-  Load Dump Protected
-  Over Voltage Protected
-  Overheat Protected
-  Salt Mist
-  Optically Even Light
-  Distinct Light Pattern
-  Different Lens Colour
-  Replaceable Lens
-  Multi Voltage
-  Compact
-  Quake Dampening

Drawings



Specifications

Theoretical Lumens Output:	3400lm
Operational Lumens Output:	2100lm
Colour Temperature:	5700K
Nominal / Input Voltage DC:	12- 9-32V
Power Consumption:	35W
Nominal Current at:	24V 1.5A 12V 3.0A
Electronics:	Integrated
Connector:	Built-in Deutsch 2-pin
Mount:	Single Bolt M10
Shock:	60G
Vibration:	20Grms 24-2000Hz 4.65Grms 12-2000Hz
Lens:	PC
Optional Lens Colours:	Amber Red Transparent White Yellow
Body:	Aluminium
Weight:	1.6kg
IP Rating:	IP68 IP6K9K SAE J1455
Salt Mist:	ISO 9227 240H
EMC:	CISPR 25 Class 3 ISO 13766 ISO 14982 ISO 7637-2
Operating Temperatures:	-40°C... +85°C (Overheat protected)
Packing:	12 pce / Box

Nordic Lights™

Herrmans Oy Ab

P.O. Box 36, Bennäsvägen 143
FIN-68601 Jakobstad, FINLAND

Tel: +358 (0)6 781 5100

Fax: +358 (0)6 723 3160

E-mail: nordiclights@nordiclights.com

Web: www.nordiclights.com

VAT ID: FI17390930