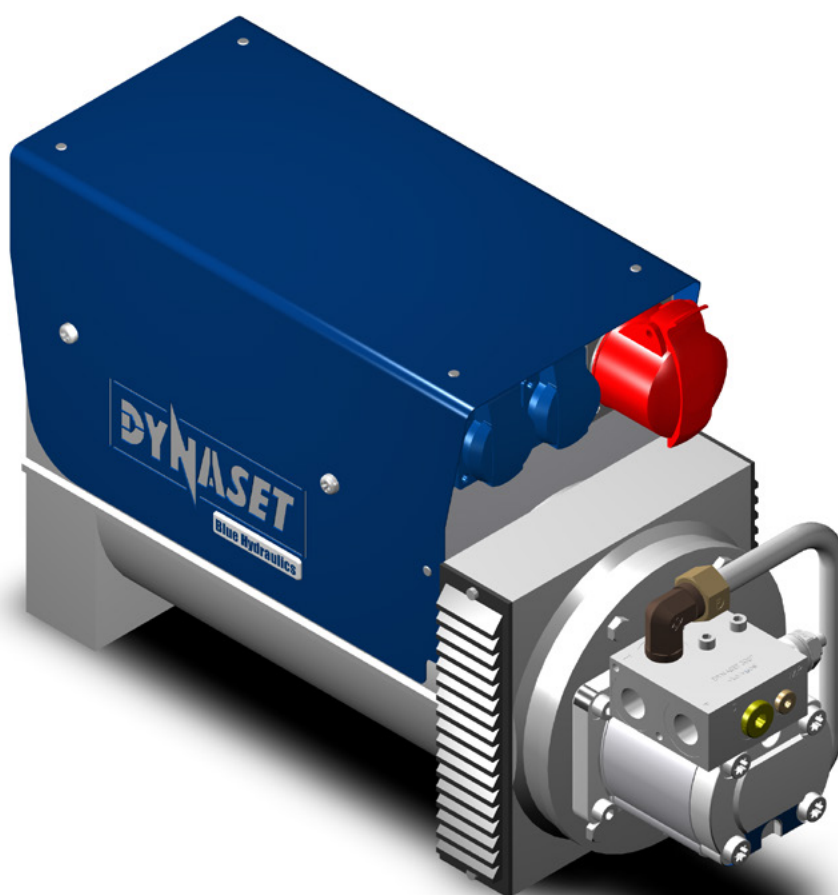




POWERED BY HYDRAULICS

**REPARK**  
WWW.REPARK.LV



rev 1.1

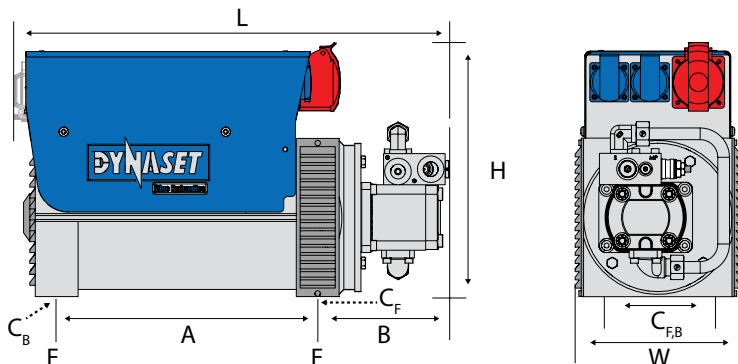
## DATA SHEET

### HG HYDRAULIC GENERATOR



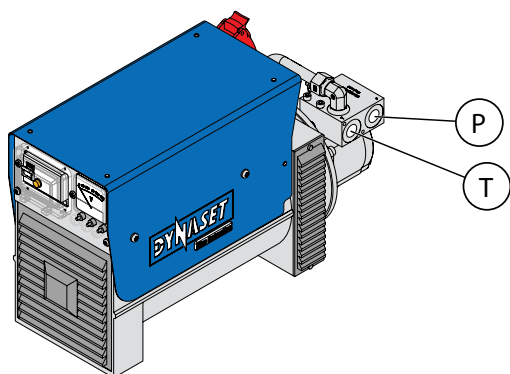
HG6,5E-E400ST23-34-VF  
HG10E-E400ST23-49-VF  
HG12F-E400ST23-54-VF

### DIMENSIONS



MODEL	DIMENSIONS, mm (in)							WEIGHT	
	L	W	H	A	B	C <sub>F</sub>	C <sub>B</sub>	E	kg (lbs)
HG6,5E-E400ST23-34-VF	500 (19.7)	212 (8.35)	326 (12.85)	282 (11.1)	164 (6.5)	160 (6.3)	110 (4.3)	Ø12 (0.5)	43 (95)
HG10E-E400ST23-49-VF	568 (22.4)	212 (8.35)	326 (12.85)	338 (13.3)	175 (6.9)	160 (6.3)	110 (4.3)	Ø12 (0.5)	57 (125)
HG12F-E400ST23-54-VF	566 (22.3)	290 (11.45)	351 (13.85)	345 (13.6)	184 (7.3)	200 (7.9)	200 (7.9)	Ø12 (0.5)	60 (132)

### HYDRAULIC PORTS



MODEL	PRESSURE LINE	RETURN LINE	DRAIN LINE
	P	T	D
HG6,5E-E400ST23-34-VF	BSP 1/2"	BSP 1/2"	M12x1,5 Male
HG10E-E400ST23-49-VF	BSP 1/2"	BSP 1/2"	M12x1,5 Male
HG12F-E400ST23-54-VF	BSP 1/2"	BSP 1/2"	M12x1,5 Male

### TECHNICAL SPECIFICATIONS

		HG6,5E- E400ST23-34-VF	HG10E- E400ST23-49-VF	HG12F- E400ST23-54-VF
<b>OUTPUT CHARACTERISTICS</b>				
Output Power max.	<b>kVA</b>	6,5	10	12
Output Voltage	<b>V</b>	230/400		
Nominal Current 1~phase* / 3~phase	<b>A</b>	14,2/ 9,4	21,7/ 14,4	26,1/ 17,3
Frequency	<b>Hz</b>	50		
Power factor	<b>cos φ</b>	0,8		
Frequency control		FLC2		
Phase		1/3		
IP		IP23		
Voltage regulator		Compound		AVR
Sockets (1 phase/3 phase/cable K)		2 / 1 / -	2 / 1 / -	2 / 1 / -
<b>HYDRAULIC POWER REQUIREMENTS</b>				
Flow min.	<b>l/min (gpm)</b>	37 (9.8)	52 (13.8)	58 (15.3)
Flow max.	<b>l/min (gpm)</b>	53 (13.99)	68 (17.95)	67 (17.69)
Pressure at nominal power output	<b>bar (psi)</b>	180 (2600)	180 (2600)	180 (2600)
Pressure max.	<b>bar (psi)</b>	210 (3000)	210 (3000)	210 (3000)
Pressure when unloaded	<b>bar (psi)</b>	35 (510)	40 (580)	30 (440)
<b>HYDRAULIC FLUID REQUIREMENTS</b>				
Viscosity	<b>cSt</b>	10-200 / optimum 25-35		
Temperature	<b>°C (°F)</b>	max. 70 (158)**		
Filter ratio	<b>µm</b>	25 or better		
Cleanliness level	<b>ISO 4406</b>	19/17/14		
Cooling capacity requirements	<b>kW</b>	2,4	3,1	3,5

Gallons are U.S. liquid gallons

\* Nominall current 1~phase / 3~phase /phase must not exede maximum load.

\*\* Depending on the hydraulic fluid.

Other options available by request.