

310 Ergo Comfort



310 Ergo Comfort

The 310 Ergo Comfort stands for comfort, load alleviation and high flexibility. Comfort and relief was the main focus during the development process of this armrest. It is a very flexible armrest with many adjustment capabilities, and is very well suited for a lightweight joystick. This kind of armrest is commonly found in trucks, construction vehicles and forklifts. It can also be found on 24-hour control room seats.



Features

The 310 Ergo Comfort can be fitted with a wide range of seat brackets.

Height, width and length adjustments can be made independently.

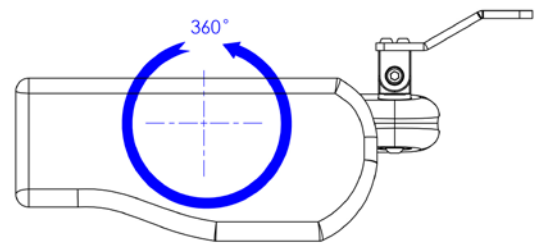
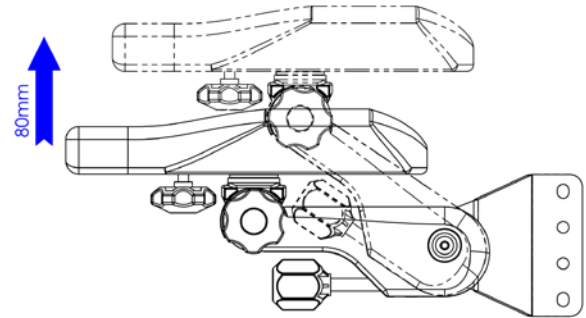
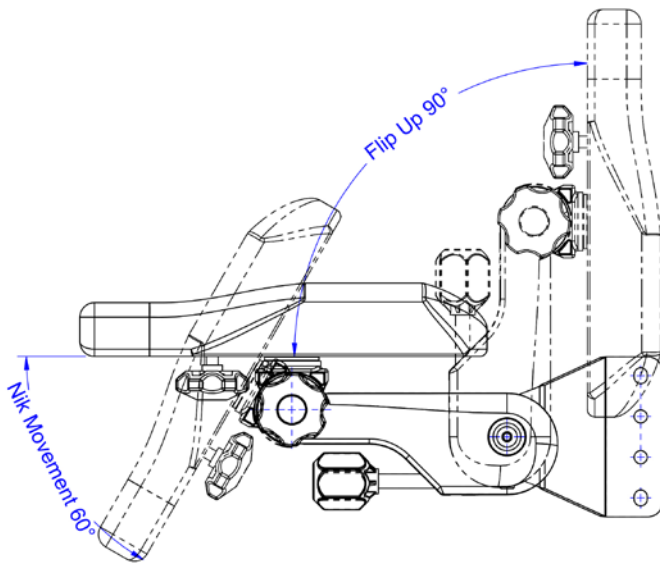
Several different arm pads as option.

Armrest is hinged for easy access.

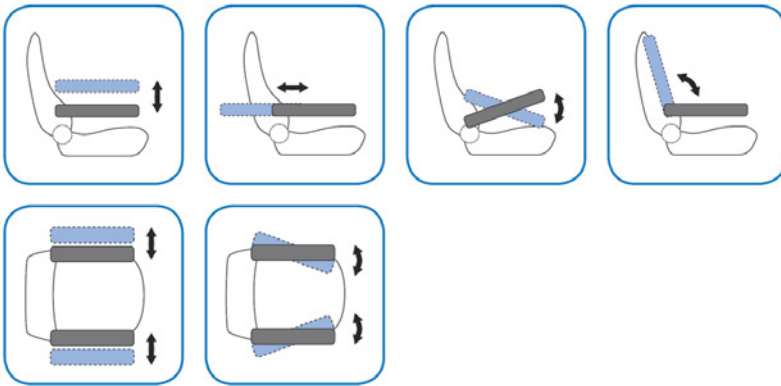


310 Ergo Comfort

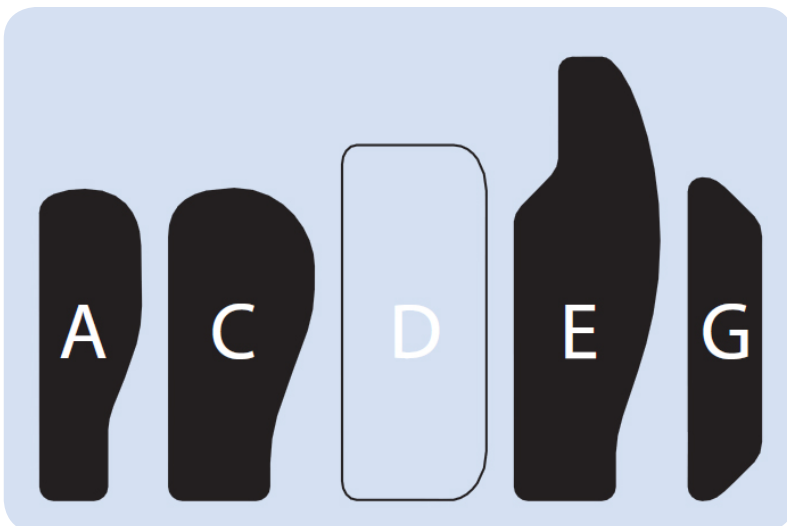
Dimensions



Adjustments



Available pads



REPARK
WWW.REPARK.LV