

5200 Ergo Sturdy



5200 Ergo Sturdy

The 5200 Ergo Sturdy stands for stability and heavy-duty. Stability was the key concern, when this armrest was designed. It can easily manage heavy loads in all directions, and works excellent even when fitted with a portable computer. Seats with this kind of armrest are often found in the foresting and mining industry, but it is also a popular choice for large cranes and construction vehicles.



Features

The 5200 Ergo Sturdy can be fitted with a wide range of seat brackets.

Height, width and length adjustments can be made independently.

Pad can be tilted and angled inwards.

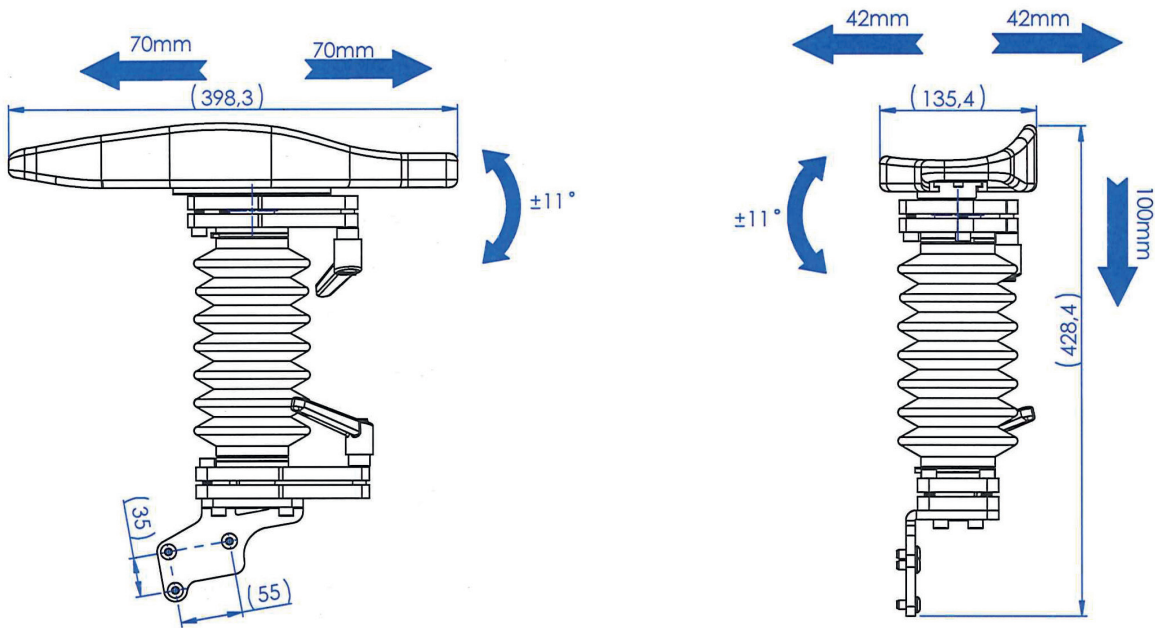
Several different arm pads as option.

Armrest is hinged for easy access.

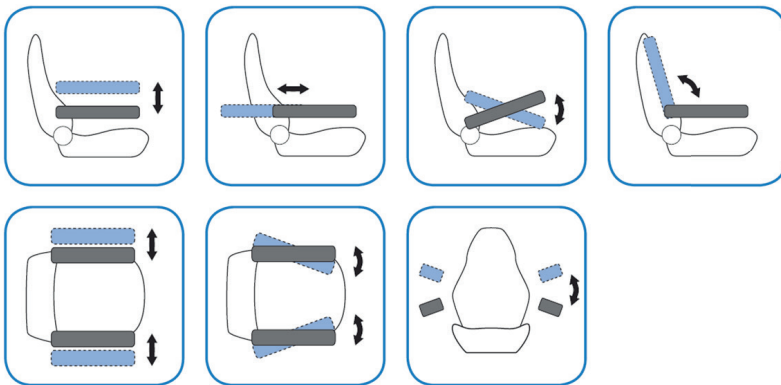


5200 Ergo Sturdy

Dimensions



Adjustments



Available pads

