

# CANIS GO 420

Our entry-level Canis GO 420 is as good as it gets. While it is lighter in weight than the original Canis work light, the operational lumens output is just as high. Best suited to construction, forestry, agriculture, and material handling, the Canis GO 420 has a round form factor and pedestal mounting, it produces zero emissions (EMC CISPR 25 class 5) and its light output is 1800 lumens.



Not all products are available in all markets. During continuous improvement specifications and design are changing. All values are nominal values. Illustrations do not necessarily show the design of every version and some features are version specific. The lumens output varies depending on lens colour.

## TECHNICAL DATA

Theoretical Lumens Output	<b>2800 lm</b>	Vibration	<b>8Grms 24-2000Hz</b>
Operational Lumens Output	<b>1800 lm</b>	Lens	<b>Grilamid® (registered trademark of EMS-GRIVORY)</b>
Colour Temperature	<b>5000 K</b>	Body / Housing	<b>Aluminium</b>
Nominal Voltage DC	<b>12 - 24 V</b>	Weight	<b>0.5 kg</b>
Input Voltage DC	<b>9 - 16 V 18 - 32 V</b>	IP Rating	<b>IP68, IP6K9K</b>
Power Consumption	<b>28 W</b>	Salt Spray Test	<b>ISO 9227 240H</b>
Nominal Current at	<b>24V=1.00A, 12V=1.80A</b>	EMC	<b>CISPR 25 Class 5, EN12895, ISO 13766, ISO 14982, ISO 7637-2</b>
Connector	<b>Built-in Deutsch DT-2 (2-pin)</b>	Operating Temperatures	<b>-40°C... +85°C (Overheat protected)</b>
Mount	<b>Single Bolt M8</b>	Part Numbers	<b>Wide Flood: 988-104B, Flood: 988-103B</b>
Shock	<b>60G</b>		

## CONNECTORS



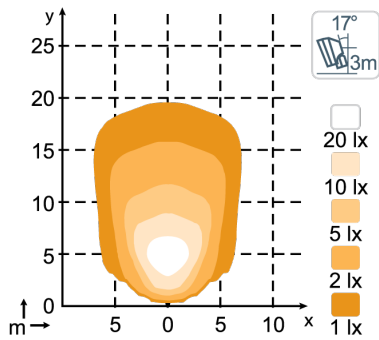
Built-in Deutsch DT-2 (2-pin)

## KEY FEATURES

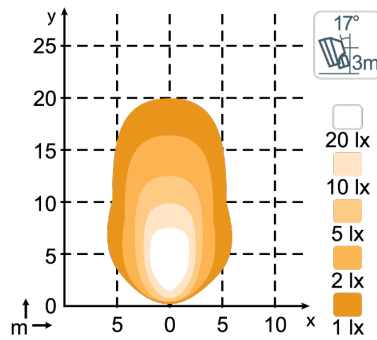
- Dimmable & Cost effective all-rounder
- Operational lumens output: 1800lm
- Pure performance in a compact design

## LIGHT PATTERNS

**Canis Go 420 1800lm  
Wide Flood**



**Canis Go 420 1800lm  
Flood**



## DRAWINGS

