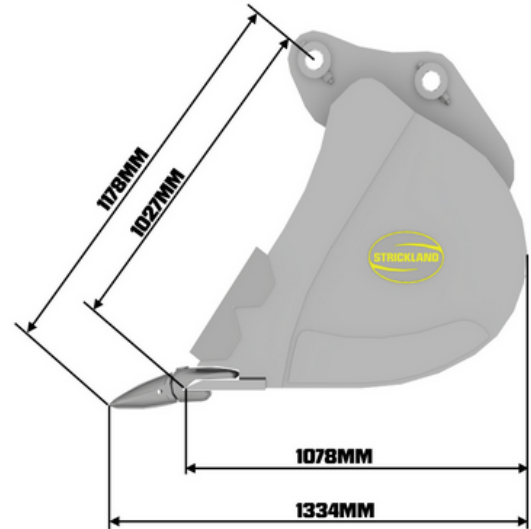
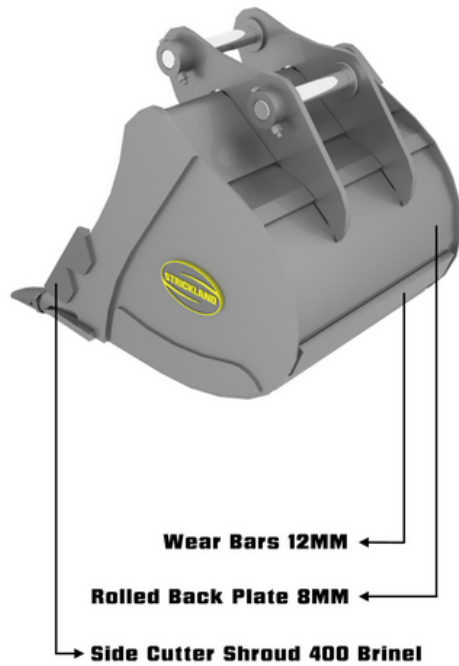
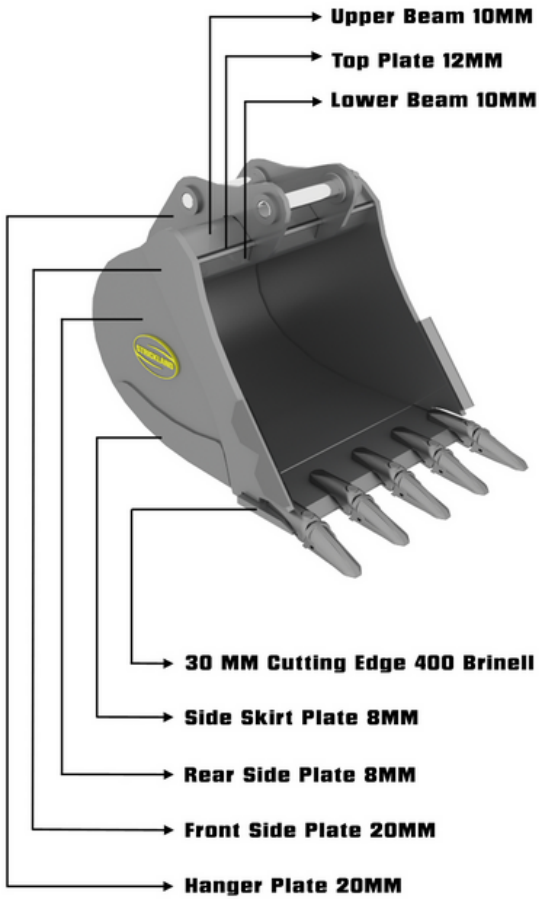


KOMATSU PC138 13 TON BUCKET



BUCKET WIDTH		NUMBER OF TEETH	CAPACITY (cub m)		BUCKET WEIGHT (KG)
INCH	MM		STRUCK	RATED	
18	457	3	0.20	0.23	383
24	610	3	0.26	0.31	420
30	762	3	0.34	0.42	464
36	914	4	0.42	0.53	525
42	1067	5	0.50	0.64	585
48	1219	5	0.58	0.75	629