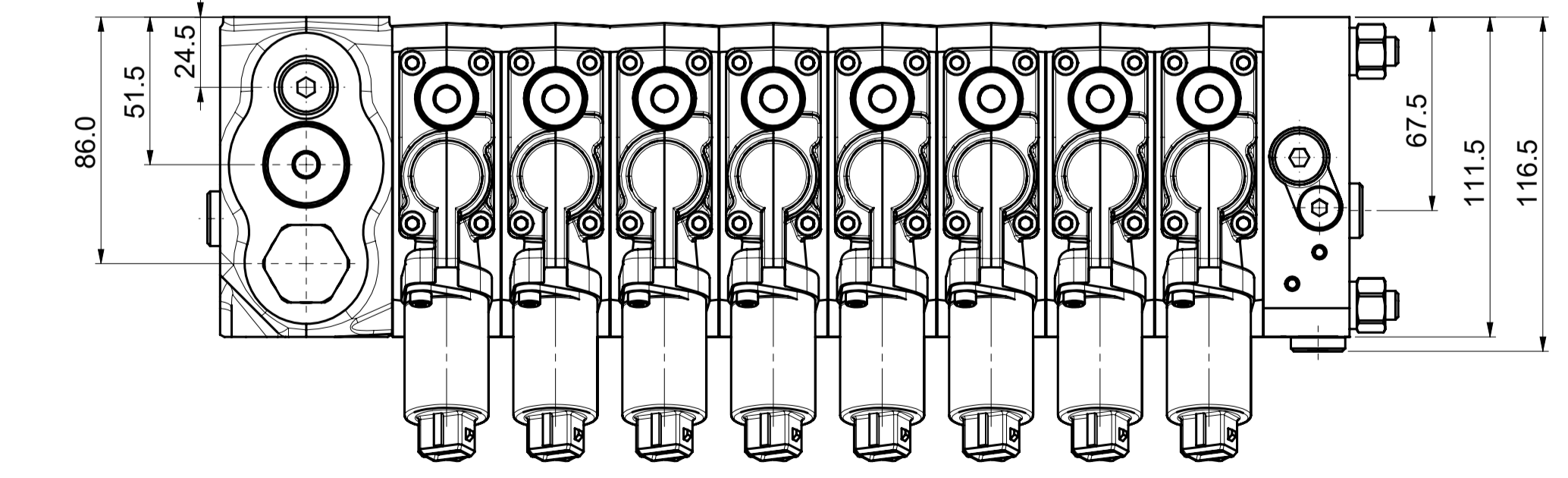
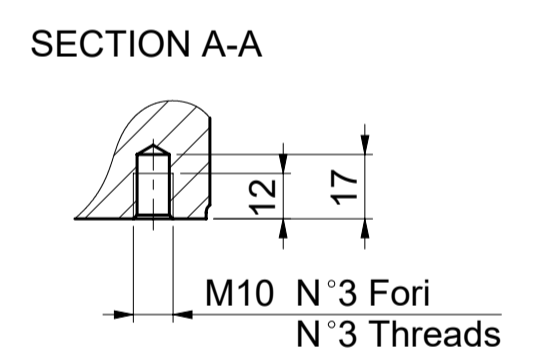
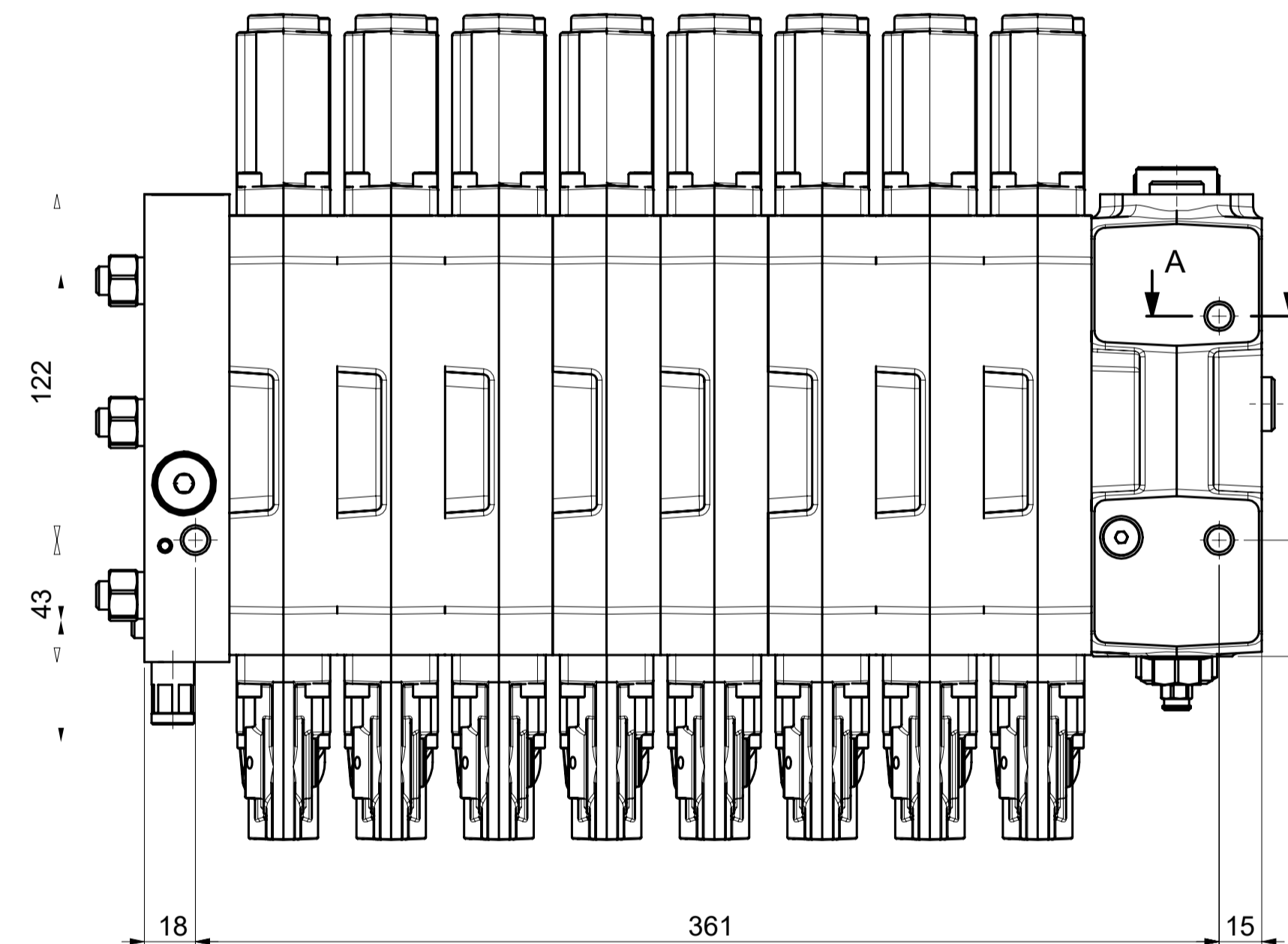
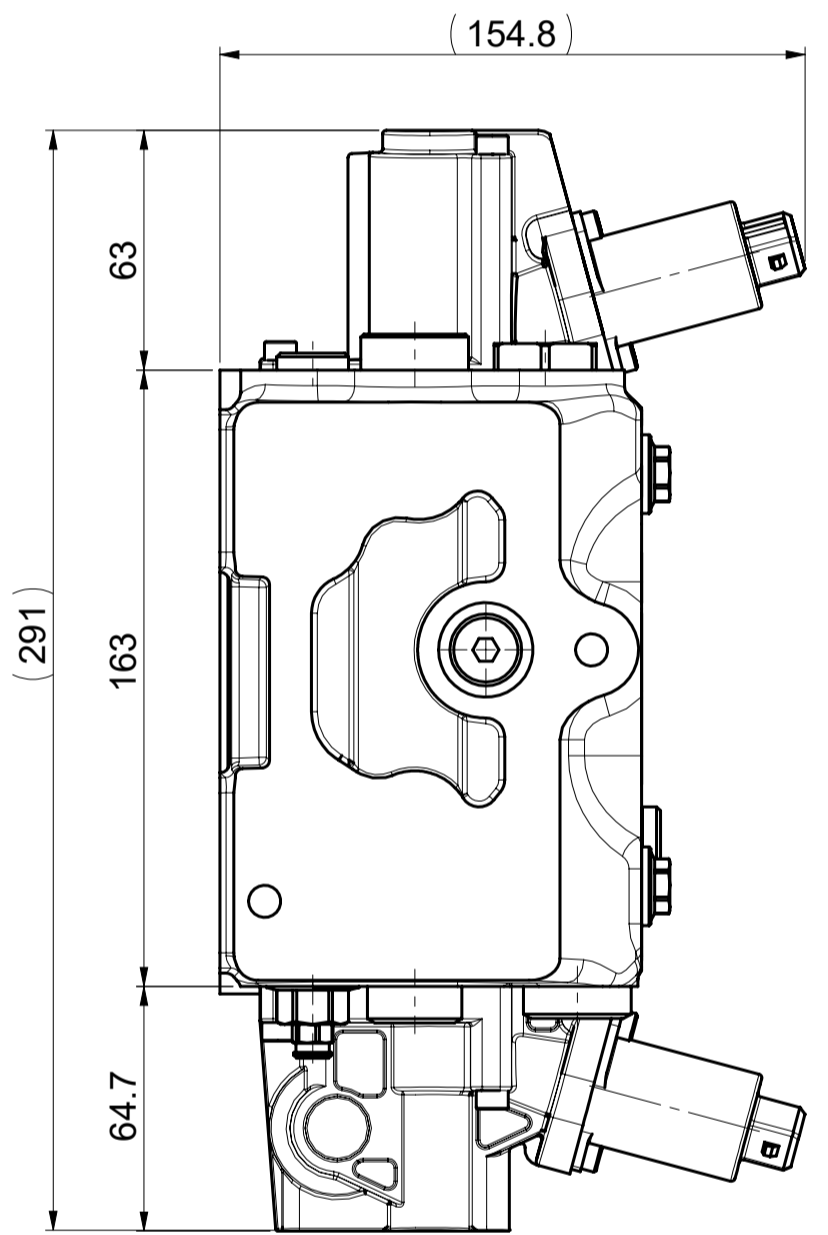
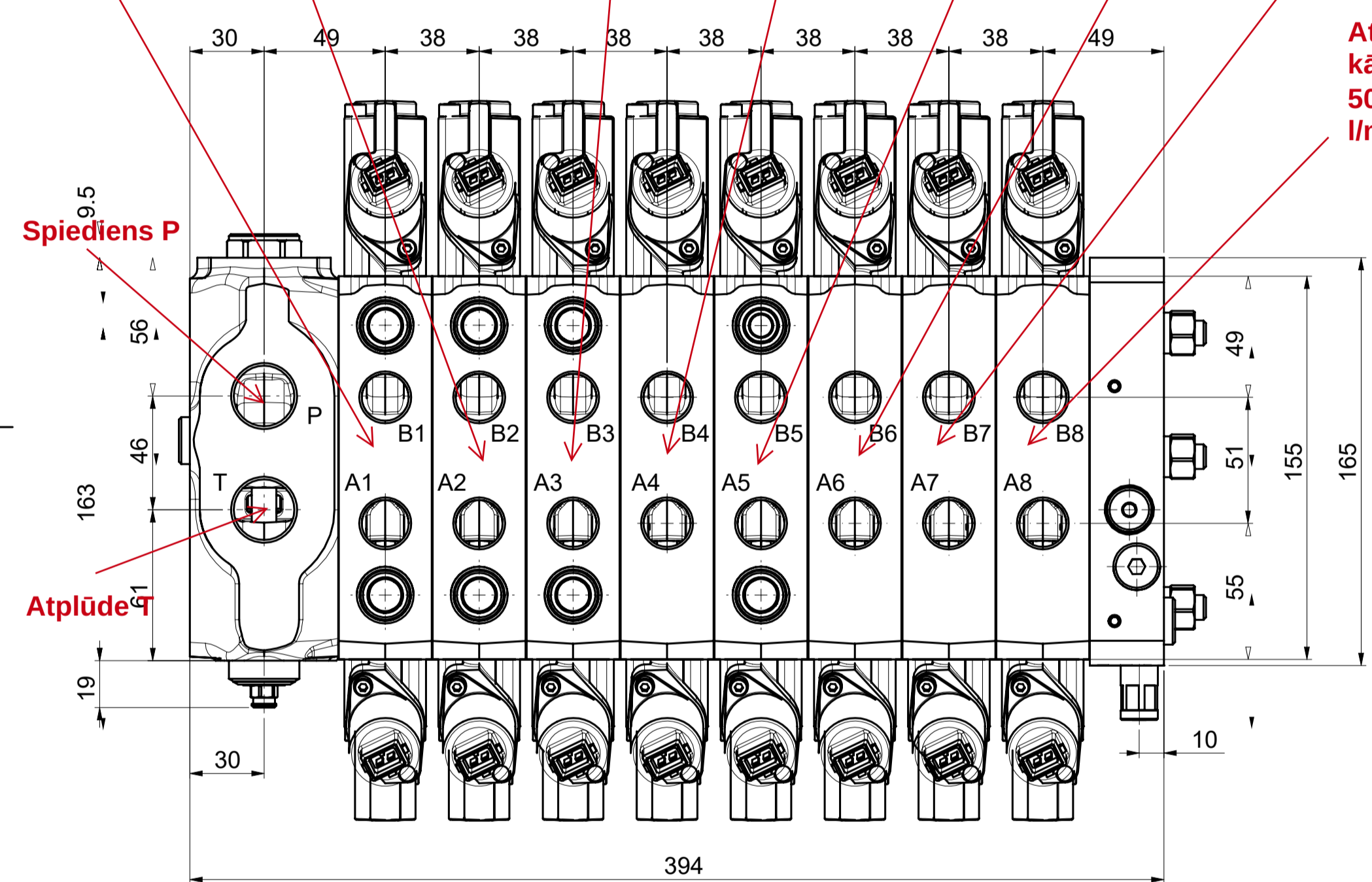


Pagriezieni 35/35 l/min
Galvenais cilindrs uz augšu /leju 65/40 l/min
Otrā strēle arā/iekša 65/50 l/min
Rotators 25/25 l/min
Teleskops arā/iekša 80/65 l/min
Satvērēja kauss 65/50 l/min
Atbalsta kājas 50/40 l/min



EX38/8
 ML-V1A(215)-V4B-V10C-KV-G05
 W001C(35\35)-HP07-FP04-B12AJ-RC1-G04.03TF-PA(180)\03TF-PB(180)
 W001C(65\40)-HP07-FP04-B12AJ-RC1-G04.03TF-PA(200)\03TF-PB(120)
 W001C(65\50)-HP07-FP04-B12AJ-RC1-G04.03TF-PA(120)\03TF-PB(220)
 W001C(25\25)-HP07-FP04-B12AJ-RC2-G04
 W001C(80\65)-HP07-FP04-B12AJ-RC1-G04.03TF-PA(100)\05TF-PB
 W001C(65\50)-HP07-FP04-B12AJ-RC2-G04
 W001C(50\40)-HP07-FP04-B12AJ-RC2-G04
 W001C(50\40)-HP07-FP04-B12AJ-RC2-G04
 KZ20EB
 P006/8

PAINTING COLOR:BLACK RAL9005

ELECTRO HYDRAULIC PROPORTIONAL 12V	
Feeding reducing pressure (bar)	40 bar
Supply voltage (Vdc)	12Vdc
Coil resistance R20	4.7
ON-OFF control current (mA)	2500
Proportional control current (mA)	500 - 1300
PWM frequency suggested (Hz)	70-90 Hz
Connector	AMP Junior Power Timer

Descrizione ultima revisione - Last edition description		Scala 1:2	
EMISSIONE		A1-SW	
Famiglia Group		Disegno prototipo Prototype	
EX38		EX38	
Descrizione - Description		EX38/8 OY HYDRO-MATERIAL AB	
Sostituisce Substitute		Riferimento Tecnico. Technical Reference	
Munno		Codice Code	
http://www.hydrocontrol-inc.com		Diseg. Drawn	
e-mail: info@hydrocontrol-inc.com		Vetri 07-02-2019	
BOLOGNA - ITALY		All rights reserved	
		1HC38080005	
		I.R. Rev	
		2	

STANDARD WORKING CONDITION	
Nominal Flow "P"-Std	150 l/min
Nominal Flow "A/B"-Std	100 l/min
Max. Input Pressure	350 bar
Operating temperature range	-20/+80°C
Kinematic Viscosity Range	10-300 cst
Max. Contamination level	9 (NAS 1638) - 20/18/15 (ISO 4406:1999)
Recommended Filtration level	b10 >75 (ISO 16889 : 2008)
PORT DIMENSIONS:	
Port size "P"	3/4" BSP
Port size "T"	3/4" BSP
Port size "T1"	1/4" BSP
Port size A & B	1/2" BSP