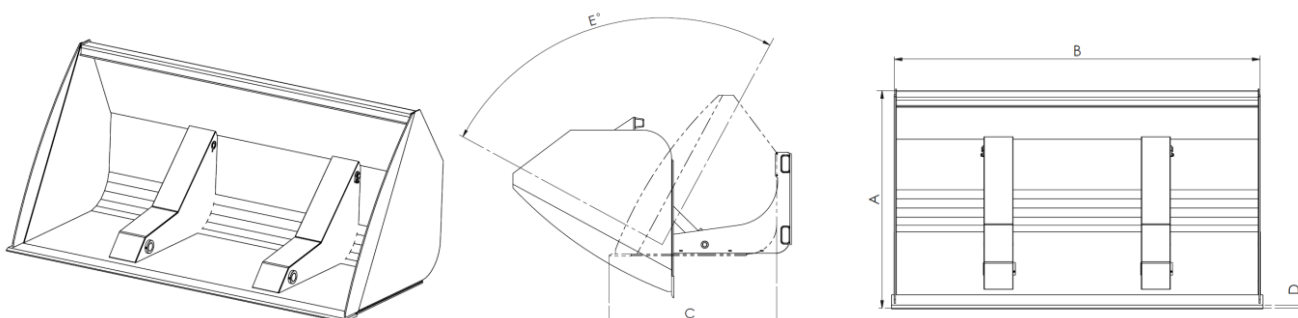


STARK -HIGH TIP BUCKET

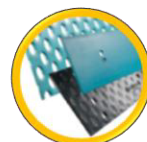
- Professional's choice
- Designed to perform
- The functional design makes it easy to fill and empty the bucket



- Strong structure and high quality components ensure trouble-free loading hours



- Accessories: bolt-on flat or net blades



Product	Bucket height (mm)	Bucket width (mm)	Depth of bucket (mm)	Lip plate (mm)	Tipping angle (°)	Capacity of bucket (m ³)	Capacity (kg)	Weight (kg) *
	A	B	C	D	E			
KKK 1300	1115	1740	1160	20	92	1,30	1300	550
KKK 2000	1115	2350	1160	20	92	2,00	2000	650
KKK 3000	1375	2500	1290	25	92	3,00	3000	1200
KKK 4000	1565	2500	1725	25	92	4,00	4000	1650
KKK 5000	1565	2800	1725	30	92	5,00	5000	1800
KKK 6000	1565	3200	1725	35	92	6,00	6000	2000

*Note! Weights may vary depending on accessories

