

STARK®

STRONG, STRONGER, STARK



STARK -REVERSE FIT DEVICE RF 700

- Professional's choice
- Increase the efficiency and agility of bucket sweepers significantly
- More security



- Brushing is more ergonomic and cost-effective
- Reverse Fit device ensures an excellent sweeping result whether driving the brush forward or in reverse
- RF 700 turning radius of 180°
- RF 700 turning device is suitable for use with KAH 1600 ST, KAH 1800 ST, KAH 2000 ST and KAH 2510 ST bucket sweeper models
- Bolt-on STARK-fit fitting is quick and easy to change
- Can be mounted to existing STARK bucket sweepers retrospectively
- No need for a side brush when brushing curbs
- Various accessories available for different uses
- Thanks to its rugged design and high quality components, the device is durable, reliable and fail-safe
- Provided with FLOATING FRAME as standard

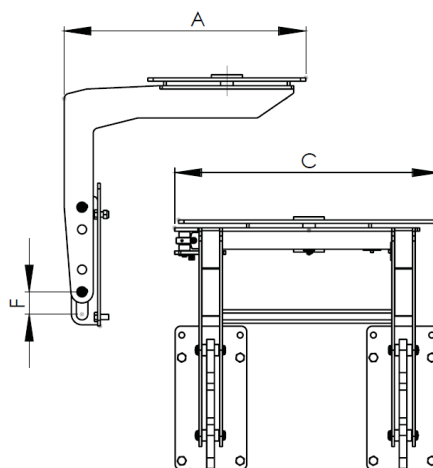
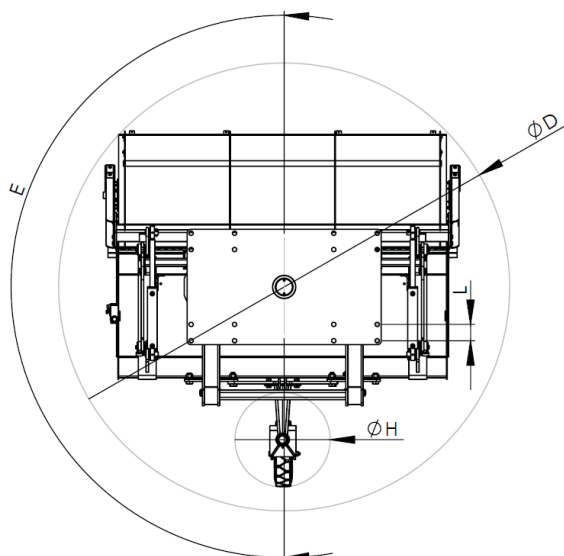
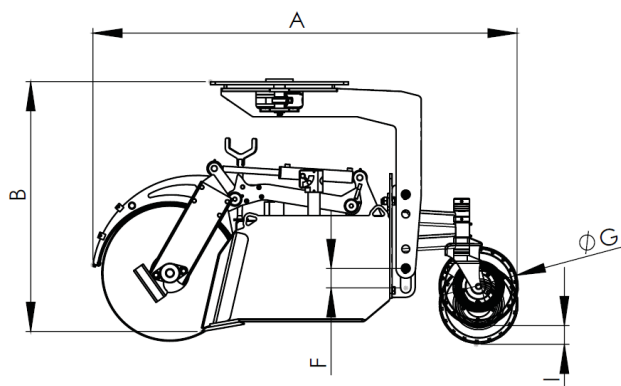
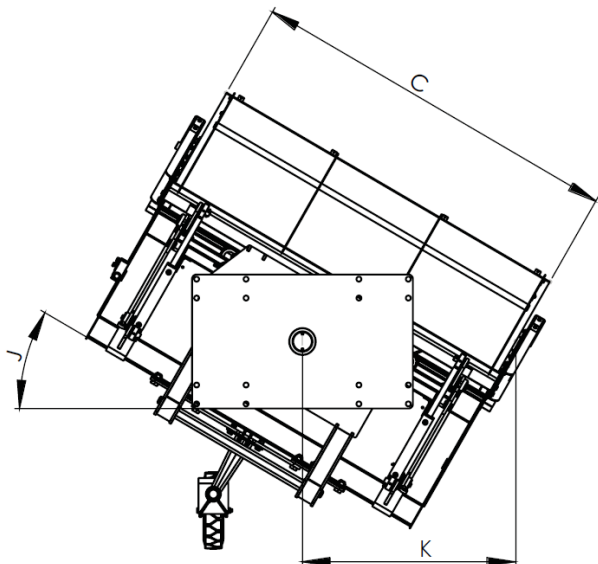


- Accessories: swiveling support wheel, electric valve 12/24 V (from 4 to 2 hydr. hoses)



REPARK

www.REPARK.lv



Product	Length (mm)	Height (mm)	Width (mm)	Swivel castor dimension (mm)	Turning angle (°)	Flotation (mm)	Diameter of the tire (mm)	Turning circle of tire (mm)	Height adjustment margin of tire (mm)	Working angle (°)	Reach of the brush with turning angle (mm)	Tilt angle of the brush (+/- °)	Transfer of fitting (mm)	Weight (kg) *
	A	B	C	D	E	F	G	H	I	J	K			
RF 700 + KAH 1600 ST	2240	1280	1600	2570	180	100	450	580	95	39	1010	5	100	930
RF 700 + KAH 1800 ST	2240	1280	1800	2700	180	100	450	580	95	37	1100	5	100	1020
RF 700 + KAH 2000 ST	2240	1280	2000	2820	180	100	450	580	95	32	1170	5	100	1080
RF 700 + KAH 2510 ST	2350	1280	2500	3150	180	100	450	580	95	32	1470	5	100	1150
RF 700	1090		1210	1770	180	100								360

*Note! Weight may vary depending on accessories