

# STARK® *STRONG, STRONGER, STARK*



## STARK -REVERSE FIT DEVICE RF 900



- Professional's choice
- Increase the efficiency and agility of bucket sweepers significantly
- More security

- Brushing is more ergonomic and cost-effective
- RF 900 turning device ensures an excellent sweeping result whether driving the brush forward or in reverse
- RF 900 turning radius is unlimited and rotating
- RF 900 turning device is suitable for use with KAH 1600 ST, KAH 1800 ST, KAH 2000 ST and KAH 2510 ST bucket sweeper models
- Bolt-on STARK-fit fitting is quick and easy to change
- Can be mounted to existing STARK bucket sweepers retrospectively
- No need for a side brush when brushing against curbs
- Various accessories available for different uses
- Thanks to its rugged design and high quality components, the device is durable, reliable and fail-safe
- Provided with FLOATING FRAME (flotation) as standard

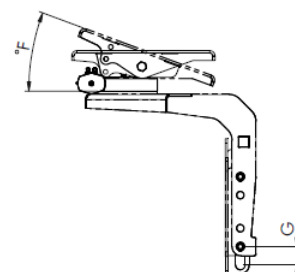
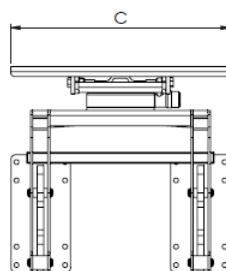
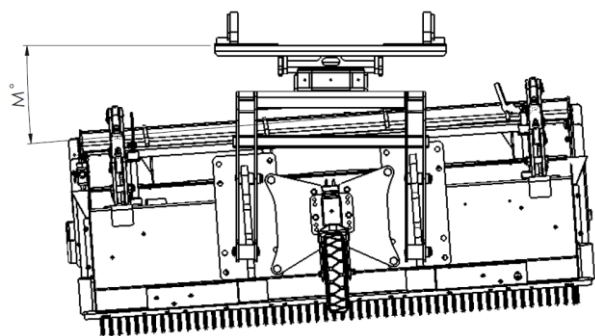
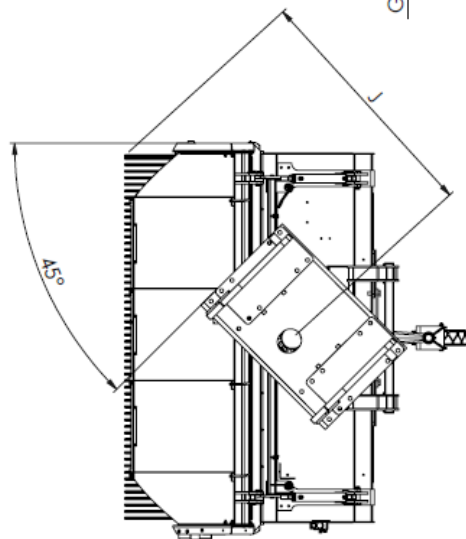
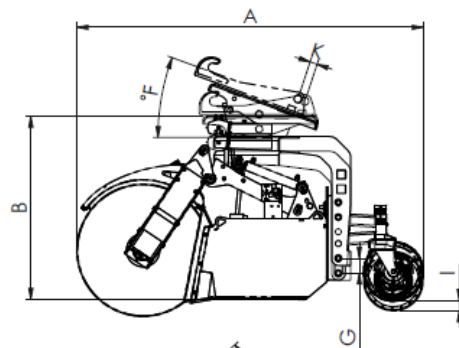
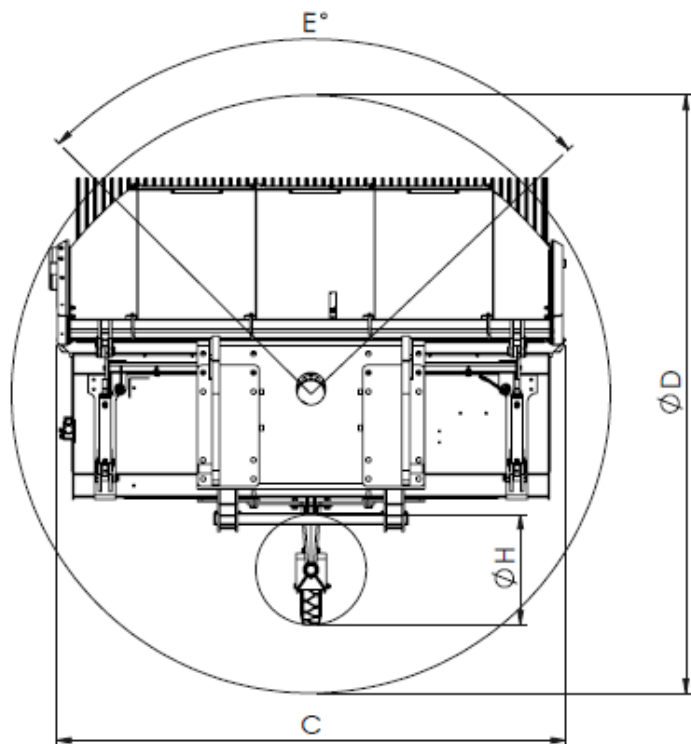


- Accessories: Swiveling support wheel, electric valve 12/24 V (from 4 to 2 hydr. hoses)



# REPARK

www.REPARK.IV



Product	Total length (mm)	Device height (mm)	Device width (mm)	Swivel castor dimension (mm)	Turning angle ± (°)	Tilt angle of the fittings (°)	Flotation (mm)	Turning circle of tire (mm)	Height adjustment margin of tire (mm)	Reach of the brush with turning angle (mm)	Transfer of fitting (mm)	Tilt angle of the brush (+/-°)	Weight (kg) *
	A	B	C	D	E	F	G	H	I	J	K	M	
RF 900 + KAH 1600 ST	2200	1280	1730	2520	unlimited	21	100	580	90	1270	100	5	935
RF 900 + KAH 1800 ST	2200	1280	1930	2660	unlimited	21	100	580	90	1335	100	5	1005
RF 900 + KAH 2000 ST	2200	1280	2130	2750	unlimited	21	100	580	90	1450	100	5	1026
RF 900 + KAH 2510 ST	2350	1280	2650	3150	unlimited	21	100	580	90	1680	100	5	1176
<b>RF 900</b>			1195		unlimited	21	100				100	5	385

\*Note! Weight may vary depending on accessories