

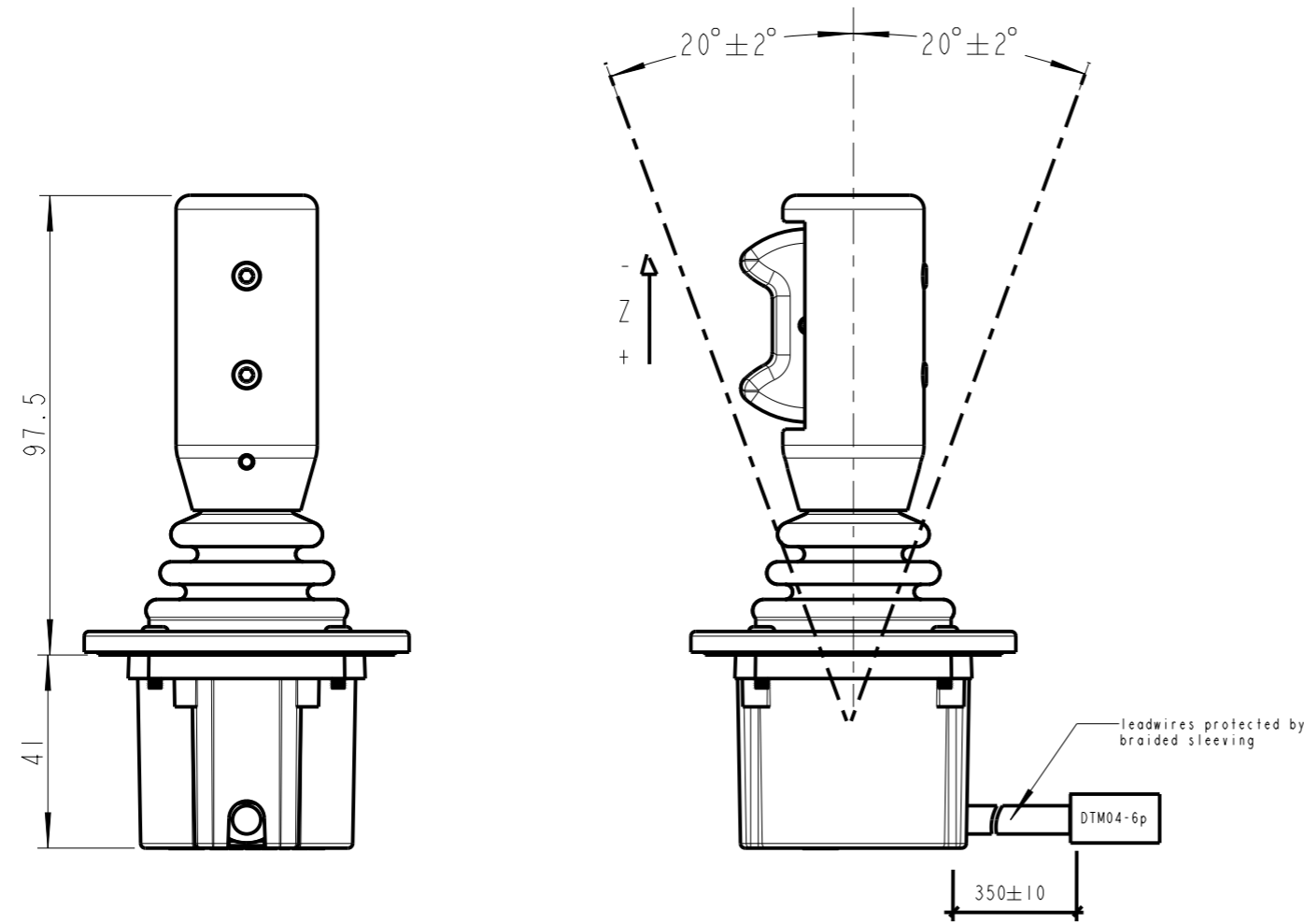
Rev. No.	Revisions	Date	Sign.	Approved
A	Changed pinning and Directions on Output signals X,Y,Z. Larger diam mounting ring	20171026	PH	PELO
B	Changed 2 colours on Wires and leadwires protected by braided sleeving	20171127	PH	PELO
C	Cable out changed to 350 mm	20171228	PH	BJST

TERMINAL CONFIGURATION

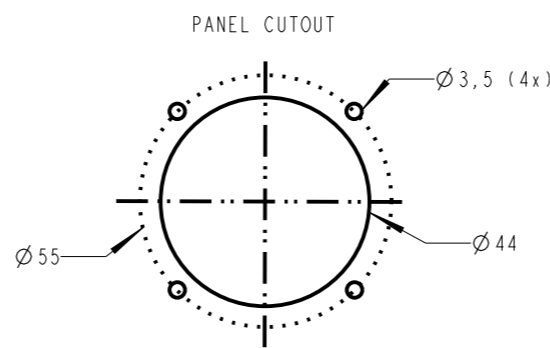
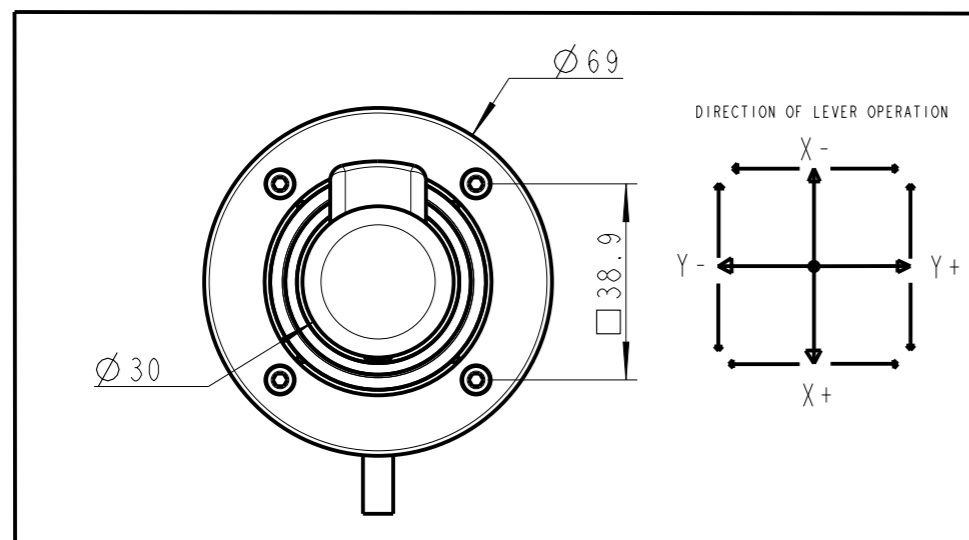
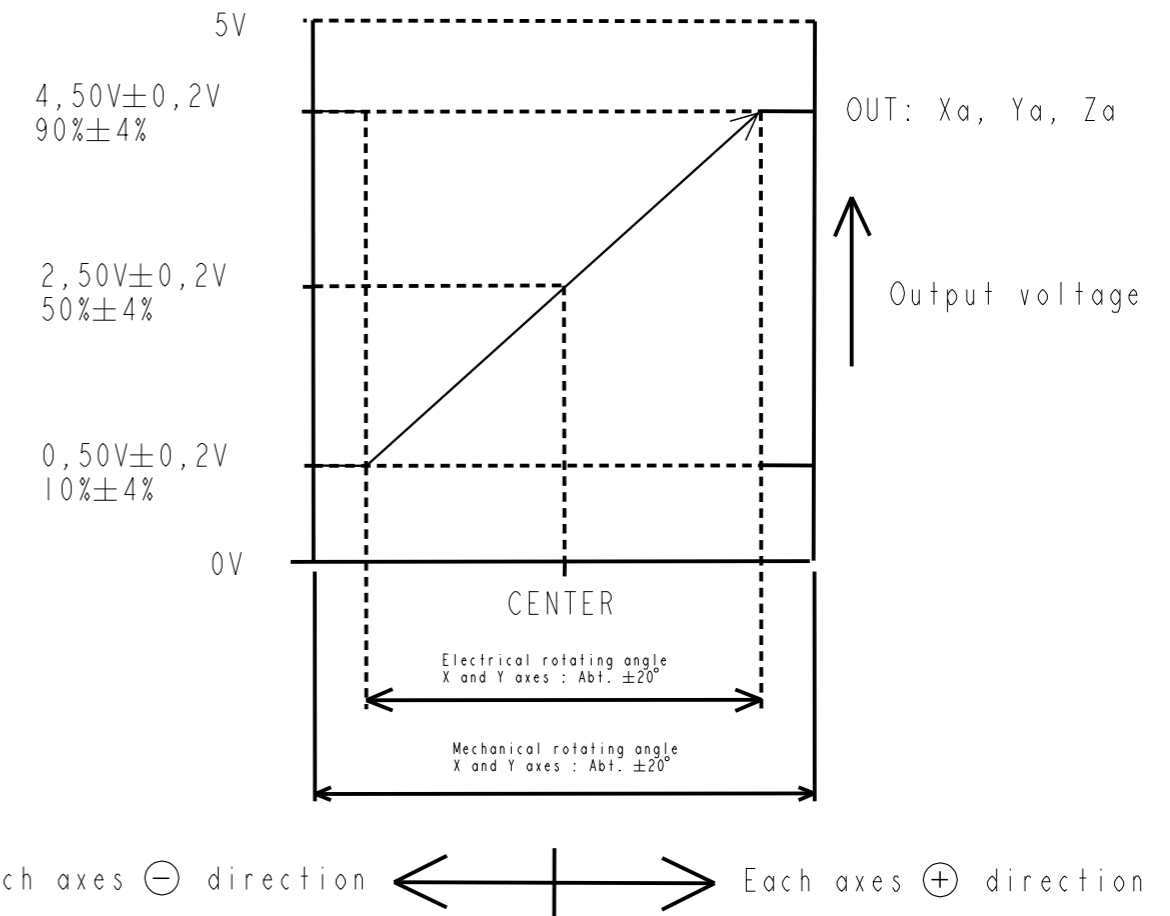
DTM04-6P	Pin	Function:	Color
	1	+5VDC-X,Y,Z	Red
	2	XA	White
	3	YA	Blue
	4	ZA	Yellow
	5	GND-X,Y,Z	Black
	6	-	-



SCALE 1:2



OUTPUT CHARACTERISTICS



This document is our property. It shall not be reproduced in its original or in any modified form - be reproduced to a third party, or used for any purpose other than that for which it is supplied, without a written consent.

	Millimeters unless otherwise noted		Replaces	Next Assy		
	Constr. PHE	Drawn PHE	Checked	Approved		
		ZC15A-0679C TECHNION		Date 18-Nov-16	Scale 2:3	Issue 4
				Dwg no. 220-A0679-04		