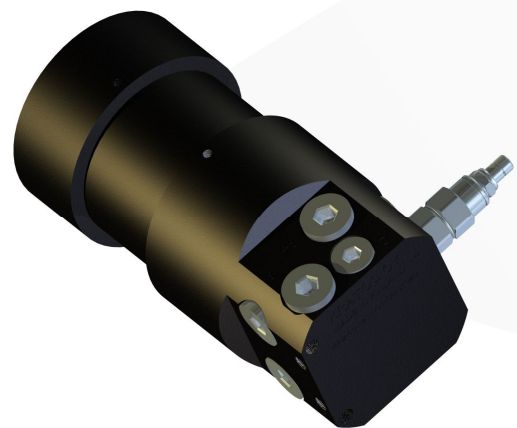
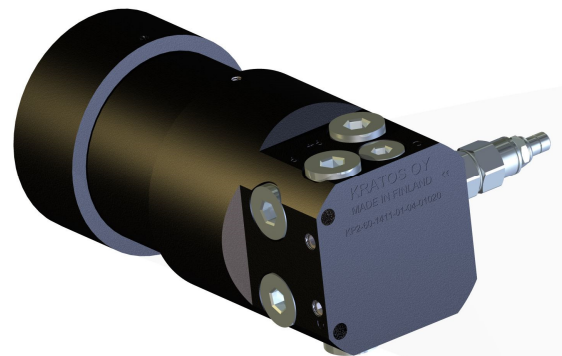
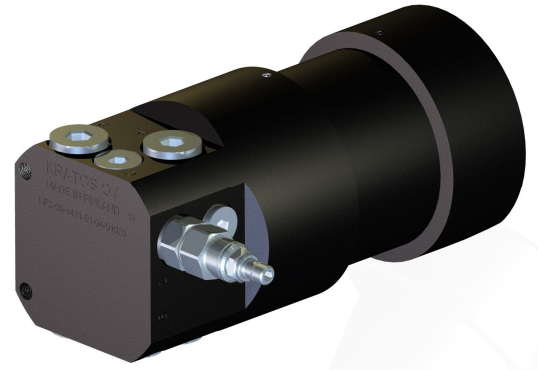
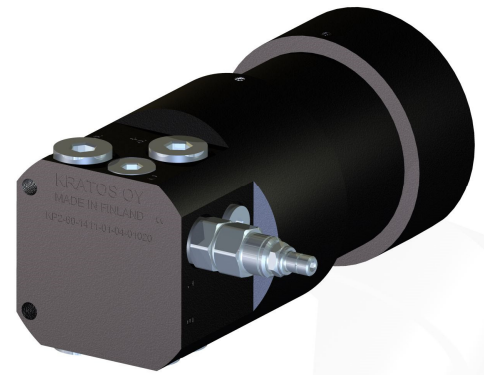


**KRATOS POWER+**

KP2-120-Series

**COMPRESSED FORCE**



**Kratos**

More power with less energy.

Kratos Oy  
Purukatu 7  
FI-70800 KUOPIO  
FINLAND

p.+358 40 163 7632  
info@kratos.fi  
www.kratos.fi

Business ID 2475987-1



# KRATOS POWER+

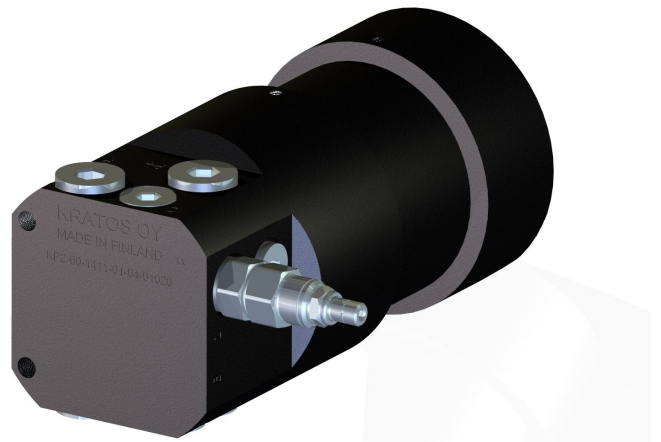
## KP2-120-Series

### COMPRESSED FORCE

KRATOS POWER+ is the smartest, patented hydraulic pressure booster available in the market. It increases the motive power of hydraulic driven machines. The solution will give the extra power only when it is needed. In this way the efficiency of the hydraulic machine is improved, and depending of the configuration the energy consumption is even decreased.

# KRATOS

## Power+



## BENEFITS

- ✓ The smartest hydraulic pressure booster product range available in the market
- ✓ Patented system which increases motive power for hydraulic machines.
- ✓ Improves the efficiency and lowers the energy consumption.
- ✓ Used in mechanical industry when there is a need for stronger hydraulic motive power.

## FEATURES

### SMART BUT SIMPLE

Automatic and load sensing,  
Increases pressure only when needed

### POWERFUL AND FAST

Cylinder force can be increased to  
needed level without losing speed

### EFFECTIVE AND JA SCALABLE

Pressure increase based on volume ratio.  
Conversion factor can be chosen, even more  
than 1:5

### SUPERIOR

Efficiency is superior compared to  
competitive solutions

### AUTOMATIC

Returns to its normal position during back  
movement of the operating unit

### VERSATILE

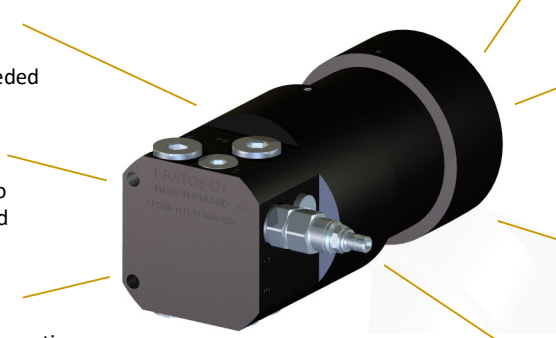
Possible to mount in different operating  
units e.g. cylinders, motors, turning devices

### UNIQUE

Patented solution by Kratos Oy

### EASY INSTALLATION

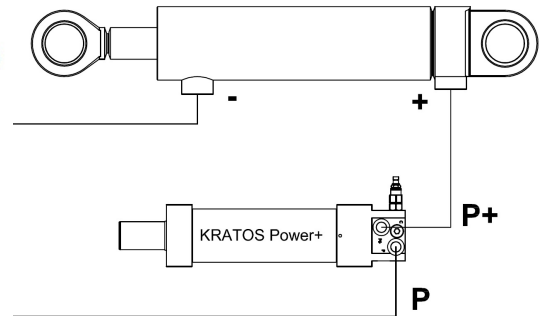
Installation can be done easily to new or  
used machines



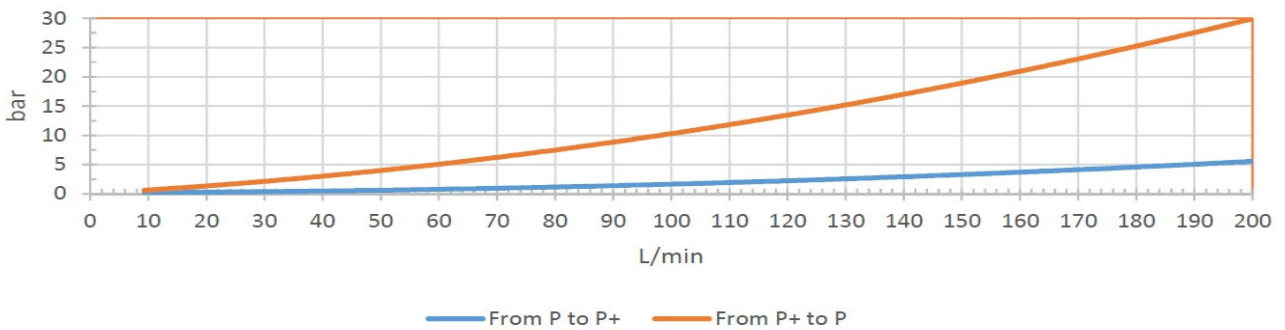
# KRATOS

# TECHNICAL DATA

Max. Hp.out (port P+)	bar (psi)	500 (7250)
Max. In (port P)	bar (psi)	*) 80 - 350 (1150 - 5000)
*) depending of ratio		
Ensure the mechanical structural tolerance and pressure classification of the hydraulic component		
Flow in	l/min. (gpm)	120 (30)
Adjustment range	bar (psi)	55 - 315 (800-4500)
P and P+ port		G 3/4"



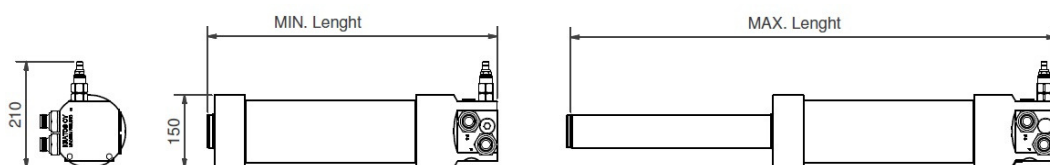
## KP2-120 -Series Pressure Drop



Example order code:

Basic modell flow 120 liter, transducting ratio 1.7, volume 2.2 liter. = KP2-120-1.7-2.2

Modell	Transducing ratio Ca.	High pressure volume							Liter
		0.8	1.6	2.4	3.2	4.1	5.0	5.8	
KP2-120	1.4	0.8	1.6	2.4	3.2	4.1	5.0	5.8	
	1.5	0.8	1.6	2.4	3.2	4.0	4.8	5.6	
	1.6	0.7	1.5	2.2	3.0	3.7	4.5	5.2	
	<b>1.7</b>	0.7	1.4	<b>2.2</b>	2.8	3.4	4.1	4.8	
	1.8	0.6	1.2	1.8	2.4	3.0	3.7	4.3	
	2.3	0.5	1.0	1.5	2.0	2.5	3.0	3.5	
	3.3	0.4	0.7	1.0	1.4	1.7	2.1	2.4	
	6.3	0.2	0.4	0.5	0.7	0.9	1.1	1.3	
Min. lenght		285	385	485	585	685	785	885	mm
Max. Lenght		395	595	795	995	1195	1395	1595	





MORE POWER WITH LESS ENERGY

Kratos Oy is a dynamic and innovative provider of the hydraulic technology.

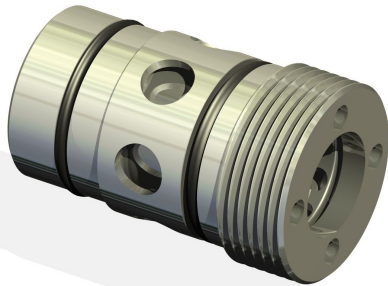
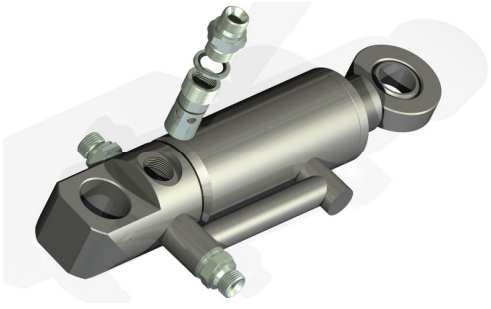
Its patented solutions create clear competitive edges for the machine building industry.

The mission is to enhance the hydraulic systems of the machine so that the efficiency of the system increases while energy consumption and costs decrease.

## KRATOS OY

Purukatu 7  
FI-70800 Kuopio,  
Finland

Tel: +358 40 163 7632  
[www.kratos.fi](http://www.kratos.fi)  
[info@kratos.fi](mailto:info@kratos.fi)



More power with less energy.

Kratos Oy  
Purukatu 7  
FI-70800 KUOPIO  
FINLAND

p.+358 40 163 7632  
[info@kratos.fi](mailto:info@kratos.fi)  
[www.kratos.fi](http://www.kratos.fi)

Business ID 2475987-1

