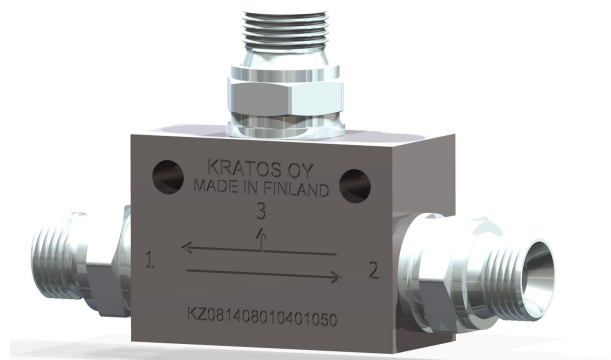
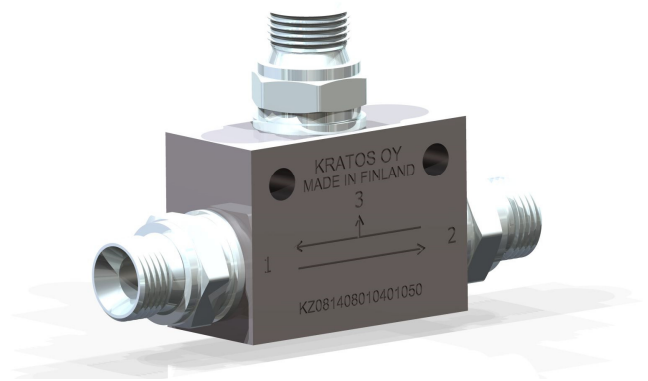


# KRATOS Z-LINE VALVE

## KZ08

OPTIMIZE THE EFFICIENCY



**Kratos**

More power with less energy.

Kratos Oy  
Purukatu 7  
FI-70800 KUOPIO  
FINLAND

p.+358 40 163 7632  
info@kratos.fi  
www.kratos.fi

Business ID 2475987-1



# KRATOS Z-LINE VALVE

## KZ08

### OPTIMIZE THE EFFICIENCY

KRATOS Z-LINE VALVE is a patented, new generation valve product line, which decreases the back pressure of a hydraulic cylinder even 90%. The Z-Line valve releases the back pressure directly to a hydraulic tank. The engine does not strain during the return movement of the cylinder and it consumes less fuel.



### Z-Line valve



### FEATURES

#### PRODUCTIVE

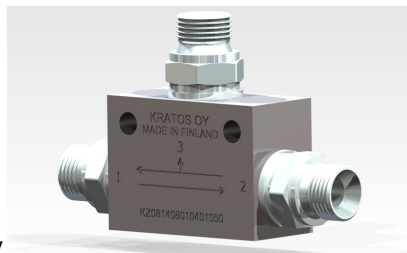
Return speed and force of hydraulic cylinder increases, and thus the system speed is improved

#### ENERGY-EFFICIENT

Decreases the fuel consumption and heating of the hydraulic oil

#### AUTOMATIC

Returns its normal position automatically when needed



#### SUPERIOR

Efficiency is superior compared to competitive solutions

#### VERSATILE

Possible to custom for from single machines to large industrial production lines

#### UNIQUE

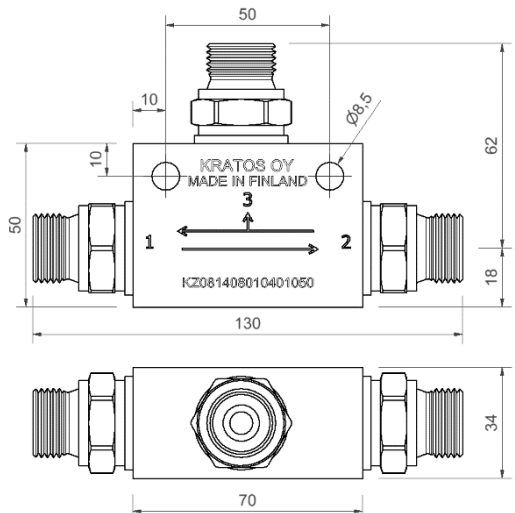
Patented solution by Kratos Oy

#### EASY INSTALLATION

Installation can be done easily to new or used machines

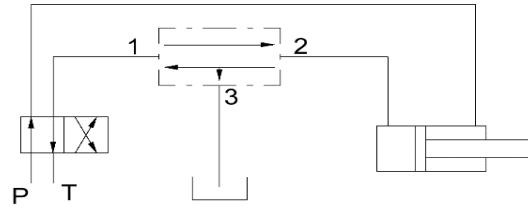
### TECNICAL DATA

Max.operating pressure	bar (psi)	350 (5000)
Flow	l/min. (gpm)	60 (15)
Weight	kg (lbs)	0,88 (1,93)
Port sizes		
Port 1	standard	G 1/2"
Port 2	standard	G 1/2"
Port 3	standard	G 1/2"
Port sizes available on request		G 3/8", G 1/4

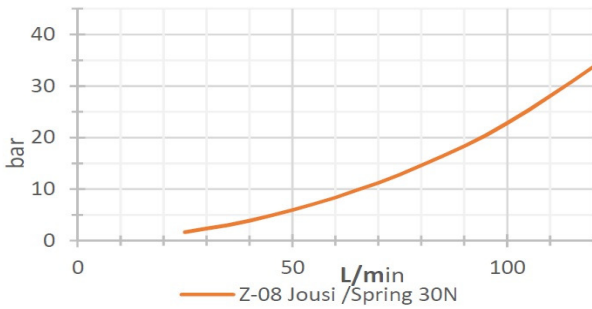


## TECNICAL DATA

When the flow is from port 1 to port 2, then port 3 is closed. When the flow is from port 2 to port 1, then port 3 will be open and divide pressure between ports 1 and 3.



Pressure drop from port 1 to port 2

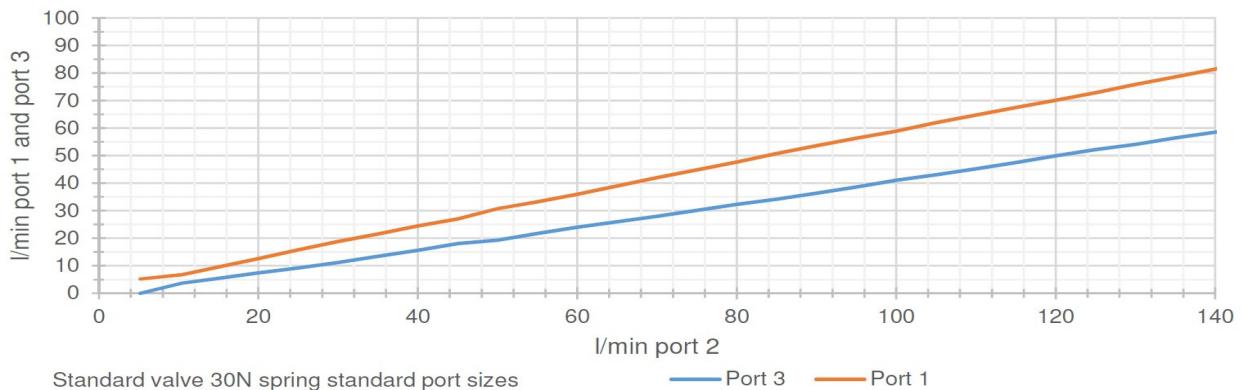


Pressure drop from port 2 to port 1 and 3



Flow from port 2 to port 1 and 3

Flow will be divided when the flow resistance in port 1 and 3 is equal.



Ordering code	Body	Spring	Port 1	Port 2	Port 3
	KZ08	W	X	Y	Z
Valve sizes					
Spring					
30 N	1				
Port sizes					
G 1/2"	1				
G 3/8"	2				
G 1/4"	3				

E.g Ordering code. Standard valve 30N spring standard port sizes = KZ081111





MORE POWER WITH LESS ENERGY

Kratos Oy is a dynamic and innovative provider of the hydraulic technology.

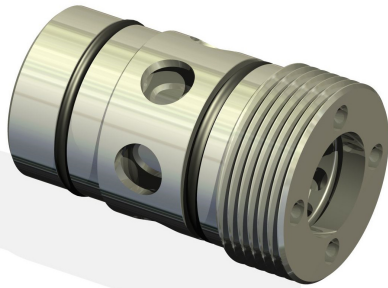
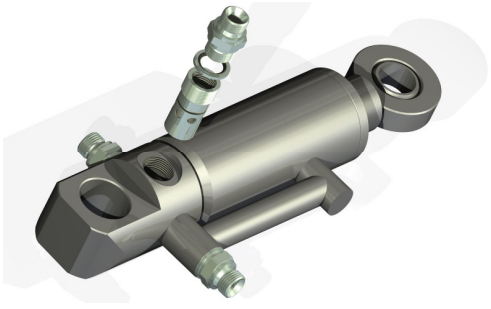
Its patented solutions create clear competitive edges for the machine building industry.

The mission is to enhance the hydraulic systems of the machine so that the efficiency of the system increases while energy consumption and costs decrease.

## KRATOS OY

Purukatu 7  
FI-70800 Kuopio,  
Finland

Tel:+358 40 163 7632  
[www.kratos.fi](http://www.kratos.fi)  
[info@kratos.fi](mailto:info@kratos.fi)



More power with less energy.

Kratos Oy  
Purukatu 7  
FI-70800 KUOPIO  
FINLAND

p.+358 40 163 7632  
[info@kratos.fi](mailto:info@kratos.fi)  
[www.kratos.fi](http://www.kratos.fi)

Business ID 2475987-1

