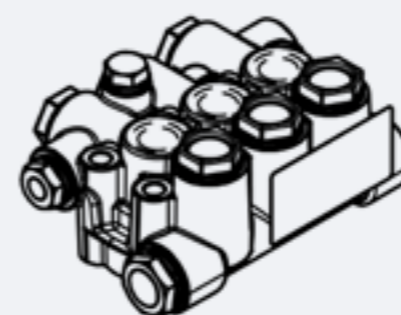


<p>MASSIMA TEMPERATURA INGRESSO ACQUA MAX INPUT WATER TEMPERATURE</p> <p>65°C 149° F</p>	<p>PRESSIONE MINIMA INGRESSO MINIMAL INPUT PRESSURE</p> <p>0.2 BAR 2.9 PSI</p>	<p>INGRESSO INLET</p> <p>G 1/2"</p>	<p>USCITA OUTLET</p> <p>G 3/8"</p>	<p>TESTATA NICHELATA NICKEL PLATED MANIFOLD</p>
--	--	--	---	---



Codice Code	Modello Model	Portata / Flow Rate lt/min - gpm		Pressione / Pressure		Potenza / Power		Potenza / Power		Albero Shaft L: 40mm Ø 24
		1450 rpm	1740 rpm	Bar	Psi	50Hz		60Hz		
						HP	Kw	HP	Kw	
P3.022.001-2	MM12250 R	12.00 3.17	14,4 3,80	250.00	3625	7.79	5.82	9.35	6.98	Destra / Right
P3.022.002-2	MM15250 R	15.00 3.96	18 4,76	250.00	3625	9.74	7.27	11.69	8.72	Destra / Right
P3.022.003-2	MM18250 R	18.00 4.75	21,6 5,71	250.00	3625	11.6	8.72	14.03	10.47	Destra / Right
P3.022.004-2	MM21250 R	21.00 5.55	25,2 6,66	250.00	3625	13.64	10.18	16.36	12.21	Destra / Right
P3.022.005-2	MM12250 L	12.00 3.17	14,4 3,80	250.00	3625	7.79	5.82	9.35	6.98	Sinistra / Left
P3.022.006-2	MM15250 L	15.00 3.96	18 4,76	250.00	3625	9.74	7.27	11.69	8.72	Sinistra / Left
P3.022.007-2	MM18250 L	18.00 4.75	21,6 5,71	250.00	3625	11.6	8.72	14.03	10.47	Sinistra / Left
P3.022.008-2	MM21250 L	21.00 5.55	25,2 6,66	250.00	3625	13.64	10.18	16.36	12.21	Sinistra / Left
		1000 rpm	1200 rpm	Bar	Psi	HP	Kw	HP	Kw	
P3.022.009-2	MM15250 R	15.00 3.96	18.00 4.75	250.00	3625	9.74	7.27	11.69	8.72	Destra / Right
P3.022.010-2	MM15250 L	15.00 3.96	18.00 4.75	250.00	3625	9.74	7.27	11.69	8.72	Sinistra / Left

RICAMBI / SPARE PARTS



KIT - P9.040.018

TESTATA COMPLETA
COMPLETE HEAD OF THE PUMP



KIT - P9.039.001

ANELLI TENUTA OLIO ASTA
KIT OIL SEAL PUMP MM PM



KIT - P9.003.025

GUARNIZIONE PISTONE
KIT PLUNGER SEALS



KIT - P9.004.013

PISTONE DIAMETRO 20
KIT CERAMIC PISTON DIAMETER 20



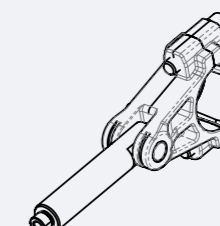
KIT - P9.001.005

VALVOLA COMPLETA
COMPLETE VALVE



KIT - P9.003.026

GUARNIZIONE PISTONE - PACCO COMPLETO
KIT COMPLETE SEALS



KIT - P9.041.004

PREMONTATO BIELLA - ASTA
PREASSEMBLED CONNECTING ROD

MMD-CW CAR WASH	PORTATA FLOW RATE		GIRI ROUNDS	PRESSIONE MASSIMA MAX PRESSURE		CAPACITÀ OLIO OIL CAPACITY		PESO WEIGHT	
	Lt/min	Gpm	Rpm	Bar	Psi	Lt	Gal	Kg	Lbs
			1450						
50HZ	12.00 » 21.00	3.17 » 5.54	1450	250	3625	0.7	0.18	10.4	22.92
60Hz	14.40 » 25.20	3.80 » 6.65	1740						