

MMD-EDM

MOTORE A BENZINA / GASOLINE ENGINE

REPARK
WWW.REPARK.LV



MMD-EDM

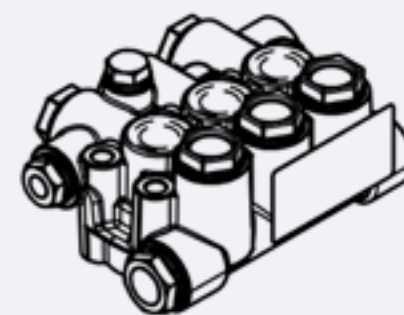
MOTORE A BENZINA / GASOLINE ENGINE

<p>MASSIMA TEMPERATURA INGRESSO ACQUA MAX INPUT WATER TEMPERATURE</p> <p>65°C 149° F</p>	<p>PRESSIONE MINIMA INGRESSO MINIMAL INPUT PRESSURE</p> <p>0.2 BAR 2.9 PSI</p>	<p>INGRESSO INLET</p> <p>G 1/2"</p>	<p>USCITA OUTLET</p> <p>G 3/8"</p>
--	--	--	---



Codice Code	Modello Model	Portata / Flow Rate lt/min - gpm		Pressione / Pressure		Potenza / Power		Albero / Shaft SAE J1609A E4 Ø 25.4mm / 1"
		3400 rpm		Bar	Psi	HP	Kw	
P3.020.301	MMD13200R-EDM-E4	13.50	3.56	200.00	2900	7.01	5.23	Destra / Right
P3.020.302	MMD16200R-EDM-E4	16.00	4.22	200.00	2900	8.31	6.20	Destra / Right
P3.020.303	MMD18200R-EDM-E4	18.30	4.83	200.00	2900	9.51	7.09	Destra / Right
P3.020.304	MMD21200R-EDM-E4	20.90	5.52	200.00	2900	10.86	8.10	Destra / Right
P3.020.305	MMD13200L-EDM-E4	13.50	3.56	200.00	2900	7.01	5.23	Sinistra / Left
P3.020.306	MMD16200L-EDM-E4	16.00	4.22	200.00	2900	8.31	6.20	Sinistra / Left
P3.020.307	MMD18200L-EDM-E4	18.30	4.83	200.00	2900	9.51	7.09	Sinistra / Left
P3.020.308	MMD21200L-EDM-E4	20.90	5.52	200.00	2900	10.86	8.10	Sinistra / Left

RICAMBI / SPARE PARTS



KIT - P9.040.033

TESTATA COMPLETA
COMPLETE HEAD OF THE PUMP



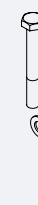
KIT - P9.039.001

ANELLI TENUTA OLIO ASTA
KIT OIL SEAL PUMP MM PM



KIT - P9.003.049

GUARNIZIONE PISTONE
KIT PLUNGER SEALS



KIT - P9.004.020

PISTONE
KIT CERAMIC PISTON



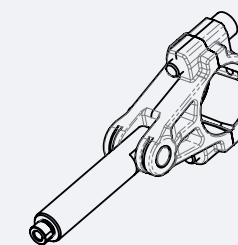
KIT - P9.001.005

VALVOLA COMPLETA
COMPLETE VALVE



KIT - P9.003.048

GUARNIZIONE PISTONE - PACCO COMPLETO
KIT COMPLETE SEALS



KIT - P9.041.004

PREMONTATO BIELLA - ASTA
PREASSEMBLED CONNECTING ROD

MMD-EDM	PORTATA FLOW RATE		GIRI ROUNDS	PRESSIONE MASSIMA MAX PRESSURE		CAPACITÀ OLIO OIL CAPACITY		PESO WEIGHT	
	Lt/min	Gpm	Rpm	Bar	Psi	Lt	Gal	Kg	Lbs
	13.50 » 20.90	3.56 » 5.52	3400	200	2900	0.7	0.18	11.4	25.1