

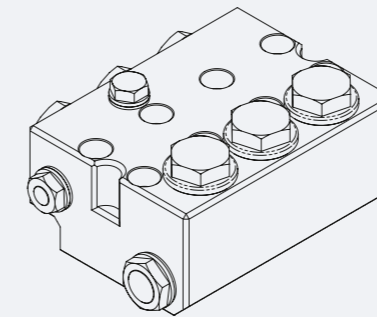
 MASSIMA TEMPERATURA INGRESSO ACQUA MAX INPUT WATER TEMPERATURE 85°C 185° F	 PRESSIONE MINIMA INGRESSO MINIMAL INPUT PRESSURE 3 BAR 43.51 PSI	 INGRESSO INLET G 1/2"	 USCITA OUTLET G 3/8"	 TESTATA INOX STAINLESS STEEL MANIFOLD
--	--	---	--	---

Acciaio AISI316
AISI316 Stainless Steel



Codice Code	Modello Model	Portata / Flow Rate lt/min - gpm		Pressione / Pressure		Potenza / Power		Potenza / Power		Albero Shaft L: 40mm Ø 24
		1450 rpm	1740 rpm	Bar	Psi	50Hz		60Hz		
						HP	Kw	HP	Kw	
P3.023.003	MMX12200 R	12.00 3.17	14,4 3,80	200.00	2900.75	6.23	4.64	7.48	5.57	Destra / Right
P3.023.002	MMX15200 R	15.00 3.96	18 4,76	200.00	2900.75	7.79	5.80	9.35	6.97	Destra / Right
P3.023.004	MMX18200 R	18.00 4.75	21,6 5,71	200.00	2900.75	9.35	6.97	11.22	8.36	Destra / Right
P3.023.001	MMX21200 R	21.00 5.55	25,2 6,66	200.00	2900.75	10.91	8.13	13.09	9.75	Destra / Right
P3.023.008	MMX12200 L	12.00 3.17	14.40 3.80	200.00	2900.75	6.23	4.64	7.48	5.57	Sinistra / Left
P3.023.006	MMX15200 L	15.00 3.96	18.00 4.75	200.00	2900.75	7.79	5.80	9.35	6.97	Sinistra / Left
P3.023.009	MMX18200 L	18.00 4.75	21.60 5.70	200.00	2900.75	9.35	6.97	11.22	8.36	Sinistra / Left
P3.023.007	MMX21200 L	21.00 5.55	25.20 6.65	200.00	2900.75	10.9	8.12	13.09	9.75	Sinistra / Left
		1000 rpm	1200 rpm	Bar	Psi	HP	Kw	HP	Kw	
P3.023.005	MMX15200 R	15.00 3.96	18.00 4.75	200.00	2900.75	7.79	5.80	9.35	6.97	Destra / Right
P3.023.010	MMX15200L	15.00 3.96	18.00 4.75	200.00	2900.75	7.79	5.80	9.35	6.97	Sinistra / Left

RICAMBI / SPARE PARTS



KIT - P9.040.032

TESTATA COMPLETA
COMPLETE HEAD OF THE PUMP



KIT - P9.039.001

ANELLI TENUTA OLIO ASTA
KIT OIL SEAL PUMP MM PM



KIT - P9.003.017

GUARNIZIONE PISTONE
KIT PLUNGER SEALS



KIT - P9.004.015

PISTONE DIAMETRO 20
KIT CERAMIC PISTON DIAMETER 20



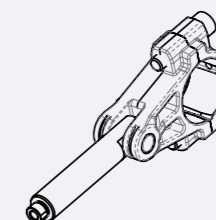
KIT - P9.001.011

VALVOLA COMPLETA
COMPLETE VALVE



KIT - P9.003.045

GUARNIZIONE PISTONE - PACCO COMPLETO
KIT COMPLETE SEALS



KIT - P9.041.004

PREMONTATO BIELLA - ASTA
PREASSEMBLED CONNECTING ROD

MMX	PORTATA FLOW RATE		GIRI ROUNDS	PRESSIONE MASSIMA MAX PRESSURE		CAPACITÀ OLIO OIL CAPACITY		PESO WEIGHT	
	Lt/min	Gpm	Rpm	Bar	Psi	Lt	Gal	Kg	Lbs
50HZ	12.00 » 21.00	3.17 » 5.54	1450	200	2900.75	0.7	0.18	10.4	22.92
60Hz	14.40 » 25.20	3.80 » 6.65	1740						