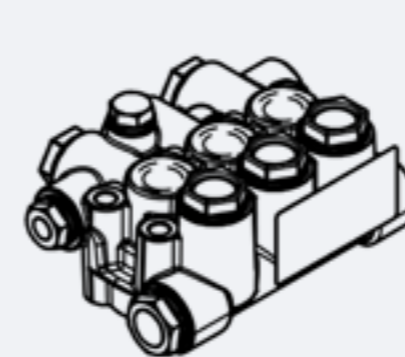


<p>MASSIMA TEMPERATURA INGRESSO ACQUA MAX INPUT WATER TEMPERATURE</p> <p><b>65°C</b> <b>149° F</b></p>	<p>PRESSIONE MINIMA INGRESSO MINIMAL INPUT PRESSURE</p> <p><b>0.2 BAR</b> <b>2.9 PSI</b></p>	<p>INGRESSO INLET</p> <p><b>G 1/2"</b></p>	<p>USCITA OUTLET</p> <p><b>G 3/8"</b></p>
--	--	--	---



Codice Code	Modello Model	Portata / Flow Rate lt/min - gpm		Pressione / Pressure		Potenza / Power		Potenza / Power		Albero Shaft L: 40mm Ø 24
		1450 rpm	1740 rpm	Bar	Psi	50Hz		60Hz		
						HP	Kw	HP	Kw	
P3.020.003-2	MMD12250R	12.00 3.17	14.40 3.80	250.00	3625	7.79	5.82	9.35	6.98	Destra / Right
P3.020.002-2	MMD15250R	15.00 3.96	18.00 4.75	250.00	3625	9.74	7.27	11.69	8.72	Destra / Right
P3.020.004-2	MMD18250R	18.00 4.75	21.60 5.70	250.00	3625	11.69	8.72	14.03	10.47	Destra / Right
P3.020.001-2	MMD21250R	21.00 5.55	25.20 6.65	250.00	3625	13.64	10.18	16.36	12.21	Destra / Right
P3.020.008-2	MMD12250L	12.00 3.17	14.40 3.80	250.00	3625	7.79	5.82	9.35	6.98	Sinistra / Left
P3.020.006-2	MMD15250L	15.00 3.96	18.00 4.75	250.00	3625	9.74	7.27	11.69	8.72	Sinistra / Left
P3.020.009-2	MMD18250L	18.00 4.75	21.60 5.70	250.00	3625	11.69	8.72	14.03	10.47	Sinistra / Left
P3.020.007-2	MMD21250L	21.00 5.55	25.20 6.65	250.00	3625	13.64	10.18	16.36	12.21	Sinistra / Left
		1000 rpm	1200 rpm	Bar	Psi	HP	Kw	HP	Kw	
P3.020.005-2	MMD15250R	15.00 3.96	18.00 4.75	250.00	3625	9.74	7.27	11.69	8.72	Destra / Right
P3.020.010-2	MMD15250L	15.00 3.96	18.00 4.75	250.00	3625	9.74	7.27	11.69	8.72	Sinistra / Left

## RICAMBI / SPARE PARTS



KIT - P9.040.017

TESTATA COMPLETA  
COMPLETE HEAD OF THE PUMP



KIT - P9.039.001

ANELLI TENUTA OLIO ASTA  
KIT OIL SEAL PUMP MM PM



KIT - P9.003.025

GUARNIZIONE PISTONE  
KIT PLUNGER SEALS



KIT - P9.004.013

PISTONE DIAMETRO 20  
KIT CERAMIC PISTON - DIAMETER 20



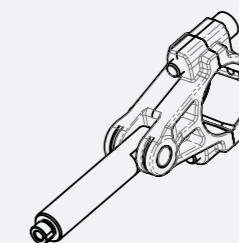
KIT - P9.001.005

VALVOLA COMPLETA  
COMPLETE VALVE



KIT - P9.003.026

GUARNIZIONE PISTONE - PACCO COMPLETO  
KIT COMPLETE SEALS



KIT - P9.041.004

PREMONTATO BIELLA - ASTA  
PREASSEMBLED CONNECTING ROD

MMD	PORTATA FLOW RATE		GIRI ROUNDS	PRESSIONE MASSIMA MAX PRESSURE		CAPACITÀ OLIO OIL CAPACITY		PESO WEIGHT	
	Lt/min	Gpm	Rpm	Bar	Psi	Lt	Gal	Kg	Lbs
50HZ	12.00 » 21.00	2.24 » 5.54	1450	250	3625	0.7	0.18	10.4	22.92
	15.00	3.96	1000						
60Hz	14.40 » 25.20	2.69 » 4.75	1740						
	18.00	4.75	1200						