

# PM-HY

MOTORE IDRAULICO / HYDRAULIC MOTOR

**REPARK**  
WWW.REPARK.LV



# PM-HY

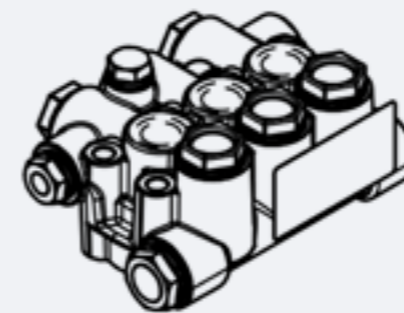
MOTORE IDRAULICO / HYDRAULIC MOTOR

<p>MASSIMA TEMPERATURA INGRESSO ACQUA MAX INPUT WATER TEMPERATURE</p> <p><b>65°C</b> <b>149° F</b></p>	<p>PRESSIONE MINIMA INGRESSO MINIMAL INPUT PRESSURE</p> <p><b>0.2 BAR</b> <b>2.9 PSI</b></p>	<p>INGRESSO INLET</p> <p><b>G 1/2"</b></p>	<p>USCITA OUTLET</p> <p><b>G 3/8"</b></p>
----------------------------------------------------------------------------------------------------------------	------------------------------------------------------------------------------------------------------	------------------------------------------------	-----------------------------------------------



Codice Code	Modello Model	Portata / Flow Rate lt/min - gpm		Pressione / Pressure		Potenza / Power		Albero / Shaft  SAE A - Cilindrico / Cylindrical Ø 15.9mm / 0.626"
		1450 rpm		Bar	Psi	HP	Kw	
P3.010.201	<b>PM8170R-HY</b>	8.50	2,24	170.00	2465	3.75	2.80	Destra / Right
P3.010.202	<b>PM10170R-HY</b>	10.00	2,64	170.00	2465	4.42	3.30	Destra / Right
P3.010.203	<b>PM11170R-HY</b>	11.00	2,91	170.00	2465	4.86	3.62	Destra / Right
P3.010.204	<b>PM12170R-HY</b>	12.00	3,17	170.00	2465	5.30	3.95	Destra / Right
P3.010.205	<b>PM13170R-HY</b>	13.00	3,43	170.00	2465	5.74	4.28	Destra / Right
P3.010.206	<b>PM14170R-HY</b>	14.00	3,70	170.00	2465	6.18	4.61	Destra / Right
P3.010.207	<b>PM15170R-HY</b>	15.00	3,96	170.00	2465	6.62	4.94	Destra / Right
P3.010.208	<b>PM8170L-HY</b>	8.50	2,24	170.00	2465	3.75	2.80	Sinistra / Left
P3.010.209	<b>PM10170L-HY</b>	10.00	2,64	170.00	2465	4.42	3.30	Sinistra / Left
P3.010.210	<b>PM11170L-HY</b>	11.00	2,91	170.00	2465	4.86	3.62	Sinistra / Left
P3.010.211	<b>PM12170L-HY</b>	12.00	3,17	170.00	2465	5.30	3.95	Sinistra / Left
P3.010.212	<b>PM13170L-HY</b>	13.00	3,43	170.00	2465	5.74	4.28	Sinistra / Left
P3.010.213	<b>PM14170L-HY</b>	14.00	3,7	170.00	2465	6.18	4.61	Sinistra / Left
P3.010.214	<b>PM15170L-HY</b>	15.00	3,96	170.00	2465	6.62	4.94	Sinistra / Left

## RICAMBI / SPARE PARTS



**KIT - P9.040.002**

TESTATA COMPLETA  
COMPLETE HEAD OF THE PUMP



**KIT - P9.039.001**

ANELLI TENUTA OLIO ASTA  
KIT OIL SEAL PUMP MM PM



**KIT - P9.003.003**

GUARNIZIONE PISTONE  
KIT PLUNGER SEALS



**KIT - P9.004.002**

PISTONE Ø18 POMPA PM  
KIT CERAMIC PISTON



**KIT - P9.001.002**

VALVOLA COMPLETA  
COMPLETE VALVE



**KIT - P9.003.004**

GUARNIZIONE PISTONE Ø18 - PACCO COMPLETO  
KIT COMPLETE SEALS



**KIT - P9.041.002**

PREMONTATO BIELLA - ASTA  
PREASSEMBLED CONNECTING ROD

PM-HY	PORTATA FLOW RATE		GIRI ROUNDS	PRESSIONE MASSIMA MAX PRESSURE		CAPACITÀ OLIO OIL CAPACITY		PESO WEIGHT	
	Lt/min	Gpm	Rpm	Bar	Psi	Lt	Gal	Kg	Lbs
50HZ	8.00 » 14.00	2.14 » 3.69	1450	170	2465	0.4	0.1	8.5	18.73