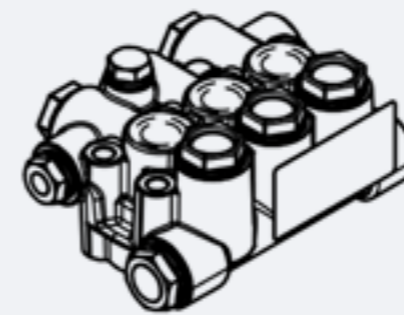


<p>MASSIMA TEMPERATURA INGRESSO ACQUA MAX INPUT WATER TEMPERATURE</p> <p>45°C 113° F</p>	<p>PRESSIONE MINIMA INGRESSO MINIMAL INPUT PRESSURE</p> <p>0.2 BAR 2.9 PSI</p>	<p>INGRESSO INLET</p> <p>G 1/2"</p>	<p>USCITA OUTLET</p> <p>G 3/8"</p>
--	--	---	--



Codice Code	Modello Model	Portata / Flow Rate lt/min - gal/min				Pressione / Pressure		Potenza / Power				Albero Shaft L: 40mm Ø 24
		1450 rpm		1740 rpm		Bar	Psi	50Hz		60Hz		
		Lt/min	Gal/min	Lt/min	Gal/min			HP	Kw	HP	Kw	
P3.010.002	PM8150R	8.50	2,24	10.20	2,69	150.00	2175.57	3.31	2.47	3.97	2.96	Destra / Right
P3.010.003	PM10150R	10.00	2,64	12.00	3,17	150.00	2175.57	3.90	2.91	4.68	3.49	Destra / Right
P3.010.004	PM11150R	11.00	2,91	13.20	3,49	150.00	2175.57	4.29	3.20	5.14	3.83	Destra / Right
P3.010.005	PM12150R	12.00	3,17	14.40	3,8	150.00	2175.57	4.68	3.49	5.61	4.18	Destra / Right
P3.010.006	PM13170R	13.00	3,43	15.60	4,12	170.00	2465.00	5.06	3.77	6.08	4.53	Destra / Right
P3.010.007	PM14150R	14.00	3,70	16.80	4,44	150.00	2175.57	5.45	4.06	6.55	4.88	Destra / Right
P3.010.001	PM15150R	15.00	3,96	18.00	4,76	150.00	2175.57	5.84	4.35	7.01	5.22	Destra / Right
P3.010.009	PM8150L	8.50	2,24	10.20	2,69	150.00	2175.57	3.31	2.47	3.97	2.96	Sinistra / Left
P3.010.010	PM10150L	10.00	2,64	12.00	3,17	150.00	2175.57	3.31	2.47	4.68	3.49	Sinistra / Left
P3.010.011	PM11150L	11.00	2,91	13.20	3,49	150.00	2175.57	4.29	3.20	5.14	3.83	Sinistra / Left
P3.010.012	PM12150L	12.00	3,17	14.40	3,8	150.00	2175.57	4.68	3.49	5.61	4.18	Sinistra / Left
P3.010.013	PM13170L	13.00	3,43	15.60	4,12	170.00	2465.00	5.06	3.77	6.08	4.53	Sinistra / Left
P3.010.014	PM14150L	14.00	3,7	16.80	4,44	150.00	2175.57	5.45	4.06	6.55	4.88	Sinistra / Left
P3.010.008	PM15150L	15.00	3,96	18.00	4,76	150.00	2175.57	5.84	4.35	7.01	5.22	Sinistra / Left

RICAMBI / SPARE PARTS



KIT - P9.040.004

TESTATA COMPLETA
COMPLETE HEAD OF THE PUMP



KIT - P9.039.001

ANELLI TENUTA OLIO ASTA
KIT OIL SEAL PUMP MM PM



KIT - P9.003.003

GUARNIZIONE PISTONE
KIT PLUNGER SEALS



KIT - P9.004.002

PISTONE Ø18 POMPA PM
KIT CERAMIC PISTON



KIT - P9.001.002

VALVOLA COMPLETA
COMPLETE VALVE



KIT - P9.003.002

GUARNIZIONE PISTONE Ø18 - PACCO COMPLETO
KIT COMPLETE SEALS



KIT - P2.150.002

PREMONTATO BIELLA - ASTA
PREASSEMBLED CONNECTING ROD

PM	PORTATA FLOW RATE		GIRI ROUNDS	PRESSIONE MASSIMA MAX PRESSURE		CAPACITÀ OLIO OIL CAPACITY		PESO WEIGHT	
	Lt/min	Gal/min	Rpm	Bar	Psi	Lt	Gal	Kg	Lbs
50HZ	8.50 » 15.00	2.24 » 3.96	1450	150	2175.57	0.4	0.1	7.5	16.53
60Hz	10.20 » 18.00	2.69 » 4.75	1740						