

2000 Ergo Flex



2000 Ergo Flex

The 2000 Ergo Flex armrest stands for optimal flexibility and seamless adjustability. In many vehicles it is important to have an armrest with the best possible flexibility. This friction armrest has seamless adjustability in all directions, to fit every driver in every situation. The 2000 Ergo Flex is a popular choice for forest- and woodland equipment, and has several extra accessories.



Features

The 2000 Ergo Flex comes in 5 different options.

- 2000 Ergo Flex
- 2000S Ergo Flex
- 2000E Ergo Flex
- 2000ES Ergo Flex
- 2000 Stable Ergo Flex

Height, width and length adjustments can be done independently.

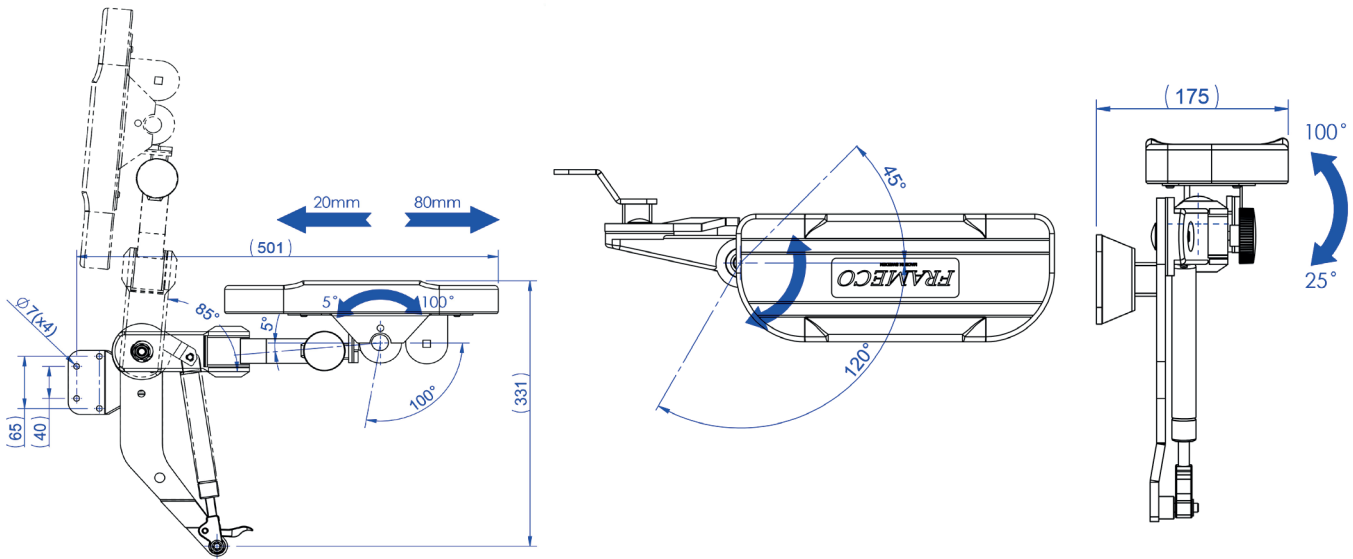
Pad can be tilted and angled inwards.

Several different arm pads as option.

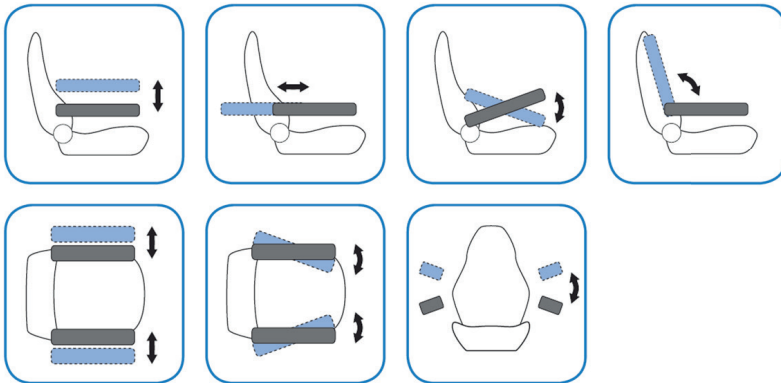
Armrest is hinged for easy access.



Dimensions

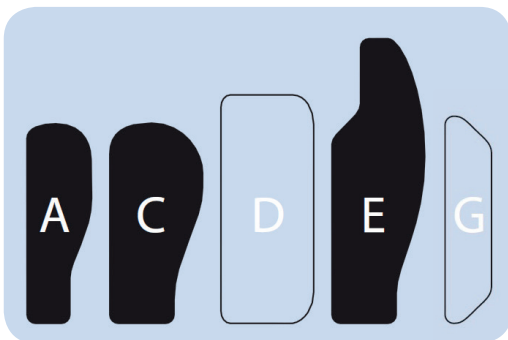


Adjustments



Available pads

2000S, 2000ES, 2000 Stable:



2000, 2000E:

