

STARK[®] *STRONG, STRONGER, STARK*

**PRO
SERIES**

STARK -ROTARY BROOM

- Professional's choice
- Powerful, versatile and agile sweeper for year-round use



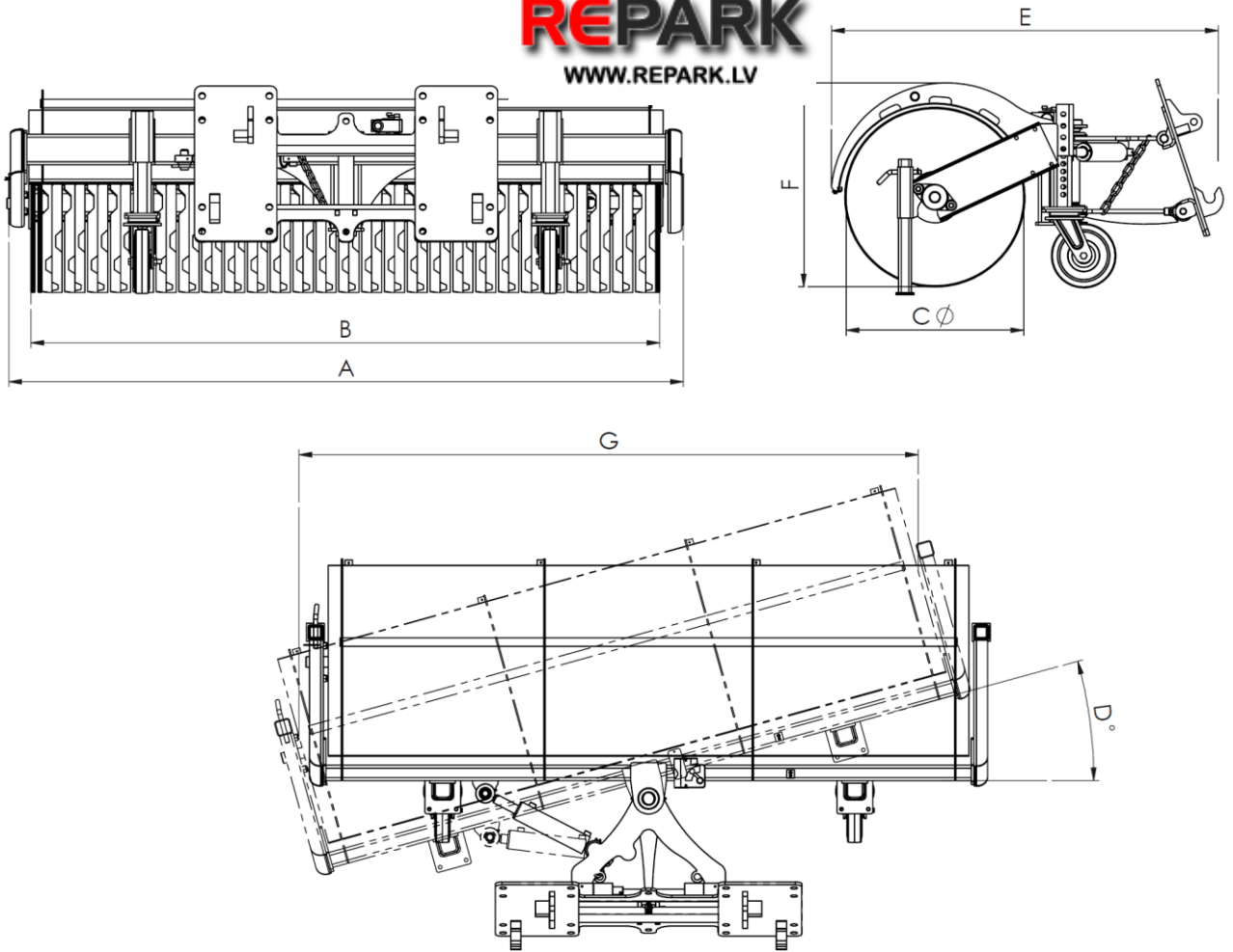
- Hydraulic motor is integrated into the brush roller, thus protecting it against impact
- Good visibility brings occupational safety
- 700 mm lamellas
- Bolt-on STARK-fit fitting can be changed quickly to match the base machine's fitting



- Accessories: rotation reverse valve

REPARK
WWW.REPARK.LV





| Product | Max. width (mm) | Working width | Main broom diameter (mm) | Turning angle \pm (°) | Length (mm) | Height (mm) | Brushing width with turning angle (mm) | Water tank (l) | Min. oil absorption (l/min) | Max. oil flow (l/min)** | Max. pressure (bar) | Return line max. counterpressure (bar) | Weight (kg) * |
|---------|-----------------|---------------|--------------------------|-------------------------|-------------|-------------|--|----------------|-----------------------------|-------------------------|---------------------|--|---------------|
| | A | B | C | D | E | F | G | | | | | | |
| AH 2000 | 2180 | 2000 | 700 | 20 | 1380 | 800 | 1880 | - | 40 | 120 | 300 | 150 | 390 |
| AH 2500 | 2670 | 2500 | 700 | 20 | 1380 | 800 | 2350 | - | 40 | 120 | 300 | 150 | 410 |

* Weight with fitting. Note! Weight may vary depending on fitting type/accessories

**Available with flow limiter if capacity exceeds 120 l/min