

# STARK®

**STRONG, STRONGER, STARK**

**PRO  
SERIES**

## STARK -ARTICULATED PLOW

- Professional's choice for plowing yards and parking areas
- Collision-dampened ACS steel frames protect the driver, base machine and work tool



- Strong structure and high quality components ensure trouble-free miles of plowing
- Thanks to its advanced degree of flotation, the plowing result is even and the plow is light to push
- Steering angle of 38° (NL3200, NL4000)
- Flotation tilt of 12° (NL1700 NL2200-7°)
- Vertical flotation travel of 190 mm (NL1700-NL2200 110mm)
- Flotation does not need greasing
- Bolt-on edge wear pads (NL3200-NL4000) allow plowing against curbstones without damaging the plow
- Bolt-on STARK-fit fitting can be changed quickly to match the base machine's fitting (NL2600, NL4000)
- There is a wide range of hydraulic options available for STARK plows. For example, a 4-way valve will provide RELAX articulated plow additional user convenience and working efficiency

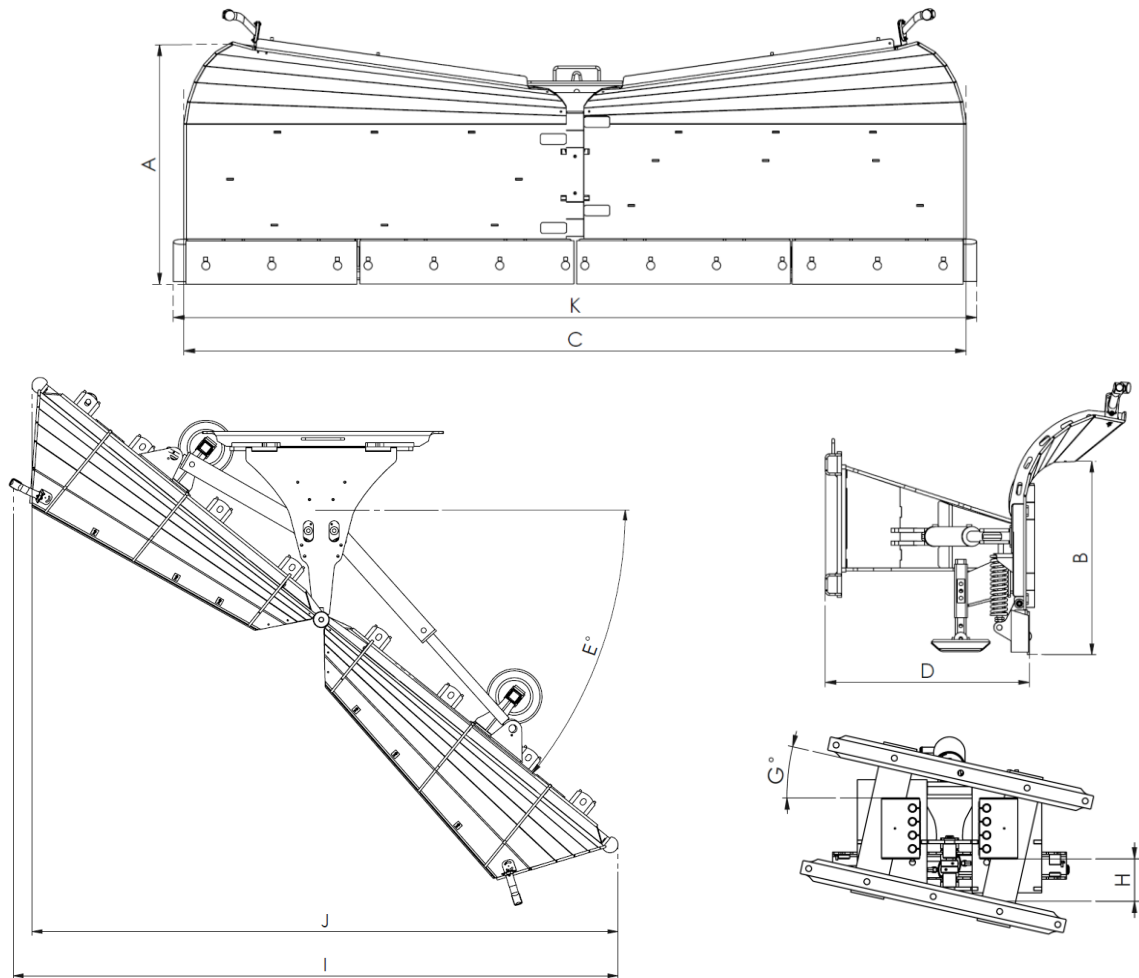


- Accessories: numerous blade options, LED series, rubber snow edge for the front of the wing, customized paint finish, steplessly adjustable gliders, supporting wheels, a number of different valve options, central lubrication system



# REPARK

www.REPARK.lv



Product	Wing max. height (mm)	Wing min. height (mm)	Wing width (mm)	Distance from fitting (mm)	Turning angle $\pm$ (°)	Flotation (°)	Flotation height (mm)	Min. width with turning angle (mm)	Min. working width with turning angle (mm)	Blade length (mm)	Weight (kg) *
	A	B	C	D	E	G	H	I	J	K	
NL 1700	740	670	1700	705	36	7	110	1420	1420	1780	360
NL 2000	750	670	2000	705	36	7	110	1660	1660	2080	380
NL 2200	750	670	2200	705	36	7	110	1820	1820	2290	400
NL 2400	910	750	2410	705	37	12	190	2050	2050	2540	590
NL 2600	920	750	2630	770	37	12	190	2170	2170	2700	610
NL 2800	920	750	2810	770	37	12	190	2330	2320	2890	710
NL 3000	920	750	3010	770	37	12	190	2490	2480	3090	755
NL 3200	1070	890	3260	950	38	12	190	2560	2560	3320	1045
NL 3600	1080	890	3620	960	38	12	190	2960	2960	3720	1100
NL 4000	1080	890	4020	970	38	12	190	3360	3360	4120	1150

\* Weight includes blades and fittings. Weight depends on the fitting/plow accessories