

STARK®

STRONG, STRONGER, STARK



STARK -RELAX GRADER BLADE



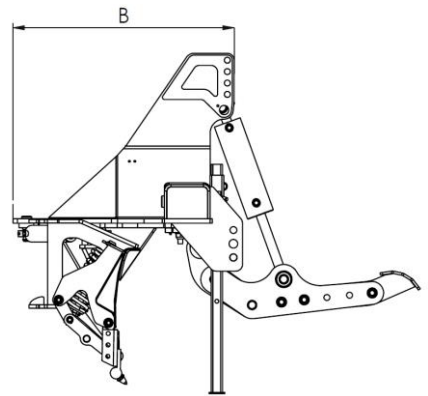
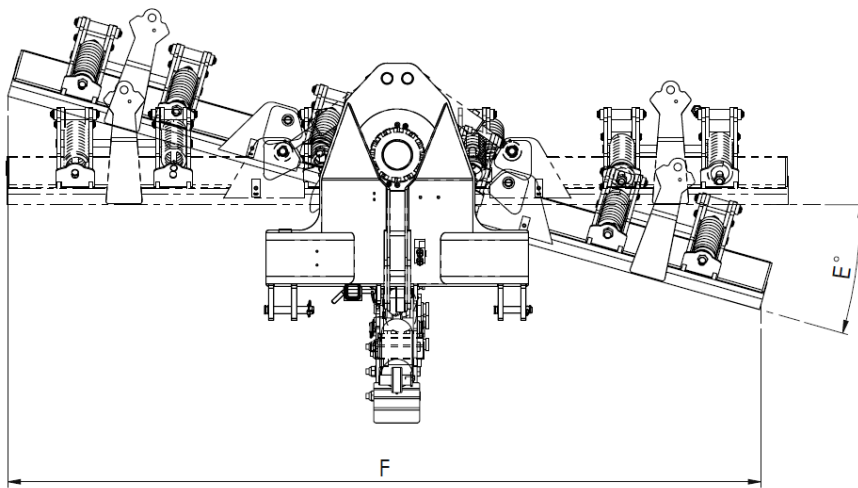
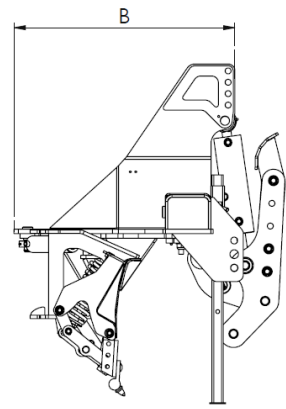
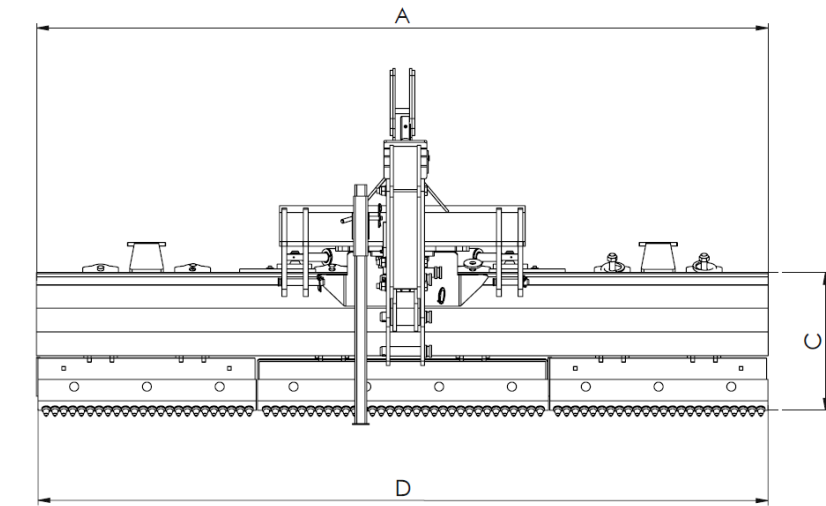
- For demanding professional use
- Safe, efficient and versatile grader blade

- Very robust, intended for the removal of packed snow and ice at the rear of the tractor
 - Patented RELAX blade release system protects the operator, base machine and work tool from damage if the grader blade hits an obstacle
 - POWER PRESS pressing mechanism ensures optimum plowing
 - If increased loosening is required the grader blade can be equipped with stinger edges (optional)
 - Extra stability can be achieved by mechanically or hydraulically adjusted heavy-duty support wheels (optional)
 - Good visibility increases occupational safety
 - Suitable for both winter and summer use
-
- Accessories: a pair of support wheels, support wheel hydraulics, stinger edges



REPARK

www.REPARK.lv



Product	Max. width (mm)	Length (mm)	Height (mm)	Max. working width (mm)	Turning angle \pm (°)	Min. working width (mm)	Weight (kg) *
	A	B	C	D	E	F	
HT 2600 R	2620	1010	515	2600	22	2530	1150
HT 3050 R	3070	1010	515	3050	22	2895	1250

*Note! Weights may vary depending on accessories